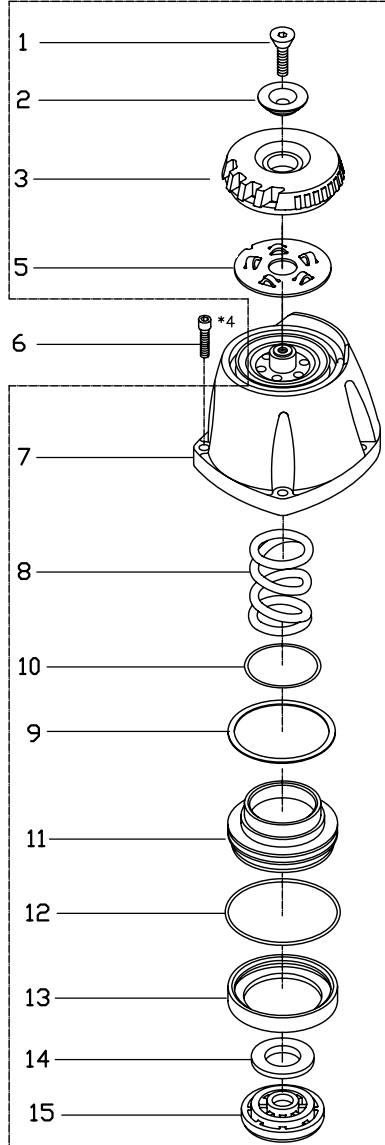
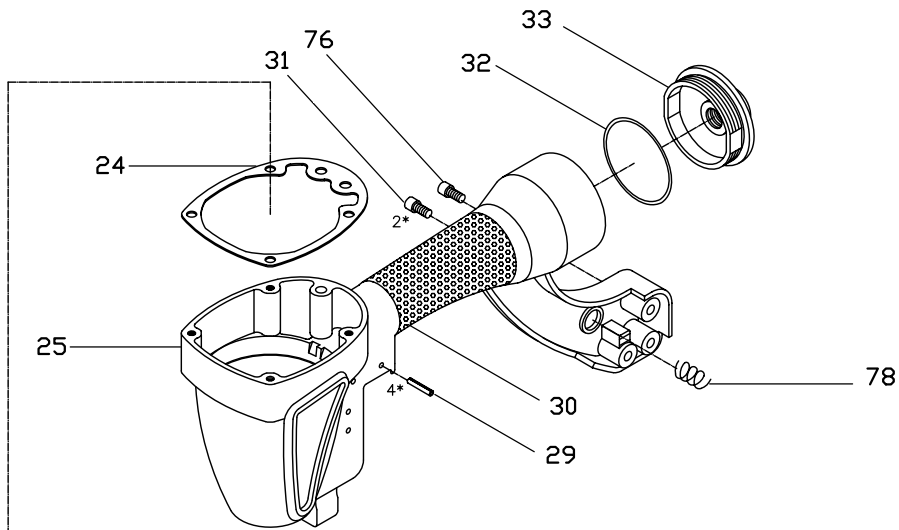
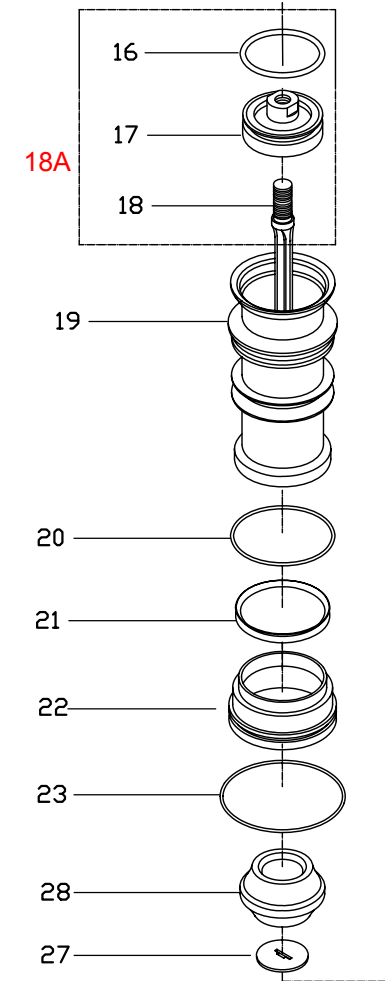


16GA MEDIUM CROWN STAPLER MS-851

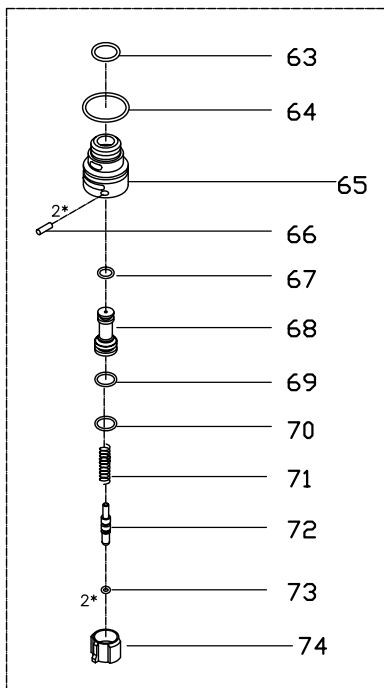
7A1



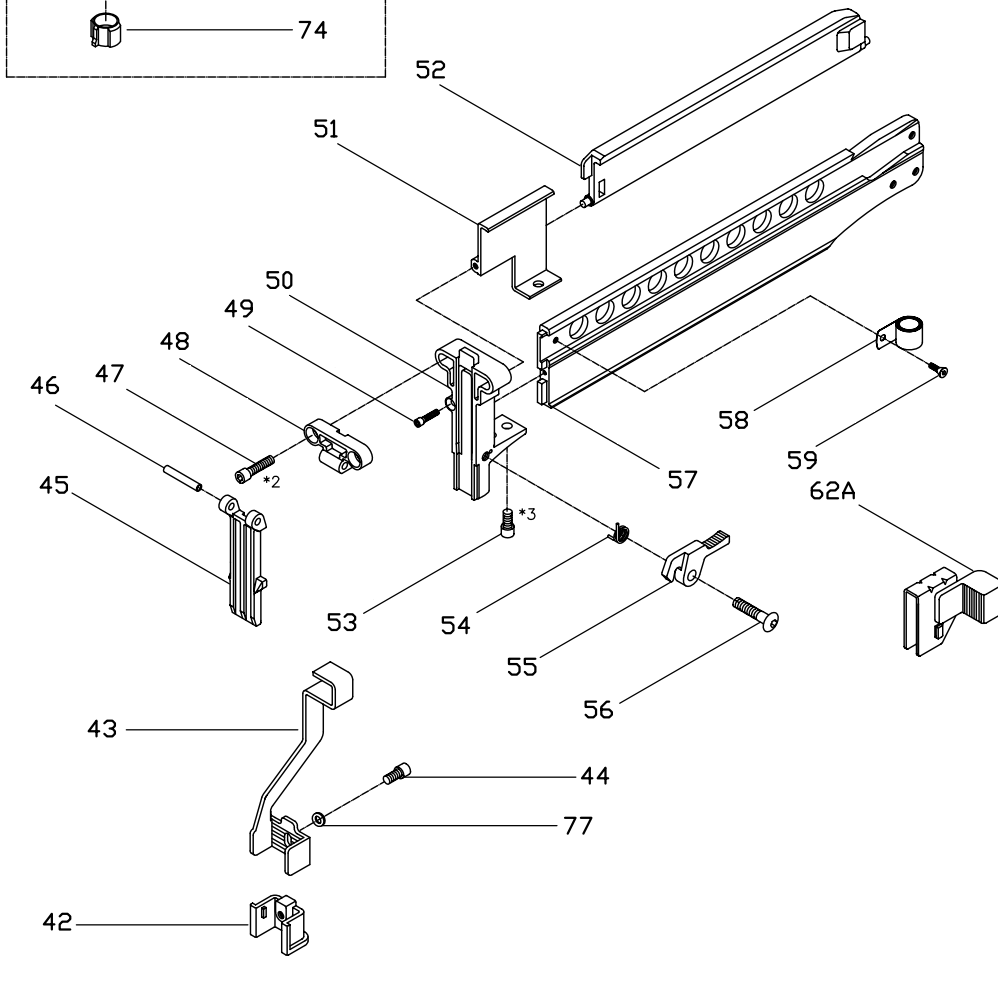
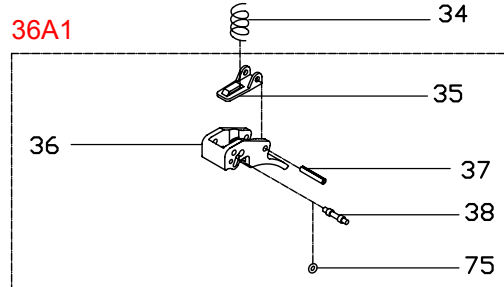
18A



65A



36A1



MODEL MS-851		16GA MEDIUM CROWN STAPLER			
INDEX	PART NO	DESCRIPTION	INDEX	PART NO	DESCRIPTION
1	JFS0620BF	FLAT.HD.BOLT	40	G17509101	SPRING
2	H19001301	FRONT BRACKET	41	E19006802	CONTACT TRIP BLOCK
3	F16500301	EXHAUST COVER	42	E17104201	ADJ. BLOCK
5	D16500501	EXHAUST FILTER PLATE	43	D17104301	CONTACT ARM
6	JHS0525BWF	HEX. SOC.HD.BOLT	44	JHS0512BWF	HEX.SOC.HD.BOLT
7	A16500701	CAP	45	E17104501	DRIVER GUIDE PLATE
7A1	A16500701A1	CAP.ASM	46	JRP040P24D	ROLLED PIN
8	G16500801	SPRING	47	JHS0532BWF	HEX.SOC.HD.BOLT
9	D16500901	WASHER	48	E17104801	SET BLOCK
10	ID4095W262	O-RING	49	JFS0316BWF	FLAT.HD.BOLT
11	F16501101	PISTON HEAD VALVE	50	E17105001	NOSE
12	ID5440W310	O-RING	51	B17105101	MAGAZINE COVER
13	F16501301	SEAL	52	F17105201	SEWING COVER
14	C16501401	PLAIN WASHER	53	JHS0512BWF	HEX.SOC.HD.BOLT
15	F17101501	PISTON STOPPER	54	G17105401	SPRING
16	ID3429W534D80	O-RING	55	E17105501	STOPPER
17	C16501701	PISTON	56	J17105601	UM.HD.BOLT
18	H17101801	DRIVER	57	B17105701	MAGAZINE
18A	H17101801A	DRIVER ASS'Y(#16.#17.#18)	58	G18004401	SPIRAL SPRING
19	C14501901	CYLINDER	59	JFS0305BF	FLAT.HD. BOLT
20	ID4730W262	O-RING	62A	F17106202A	PUSHER GUIDE
21	F16502101	CYLINDER RING	63	ID1180W240	O-RING
22	F16502201	COLLAR	64	ID1980W240	O-RING
23	ID5940W310	O-RING	65	F16508202	TRIGGER VALVE HOUSING
24	F16502401	GASKET	66	JBP030P16	BALL-PIN
25	A17102502	BODY	67	ID0580W190D90	O-RING
27	D17102701	SET PLATE	68	F16507901	PILOT VALVE
28	F16502801	BOTTOM BUMPER	69	ID0680W190	O-RING
29	JRP030P30	ROLLED PIN	70	ID0880W190	O-RING
30	F19003203	RUBBER GRIP	71	G16507601	SPRING
31	JHS0516BWF	HEX.SOC.HD.BOLT	72	H16507501	PLUNGER
32	ID4735W178	O-RING	73	ID0250W140	O-RING
33	A16002302	COVER	74	F16507302	TRIGGER VALVE CAP
34	G19005801	SPRING	75	ID0107W127	O-RING
35	D19005901	TRIGGER PLATE	65A	F16508202A	SWITCH ASM.
36	F16508601	TRIGGER	76	JHS0512BWF	HEX.SOC.HD.BOLT
37	JRP030P16	ROLLED PIN	77	JFW051010	FLAT WASHER
38	H19008201	SLIDE SHAFT	77K	NDR17101	DRIVER ASS'Y(#16+#18A)
36A1	F16508601A1	TRIGGER ASSEMBLY	78	G18105701	SPRING
39	F19006501	TRIP GUIDE			