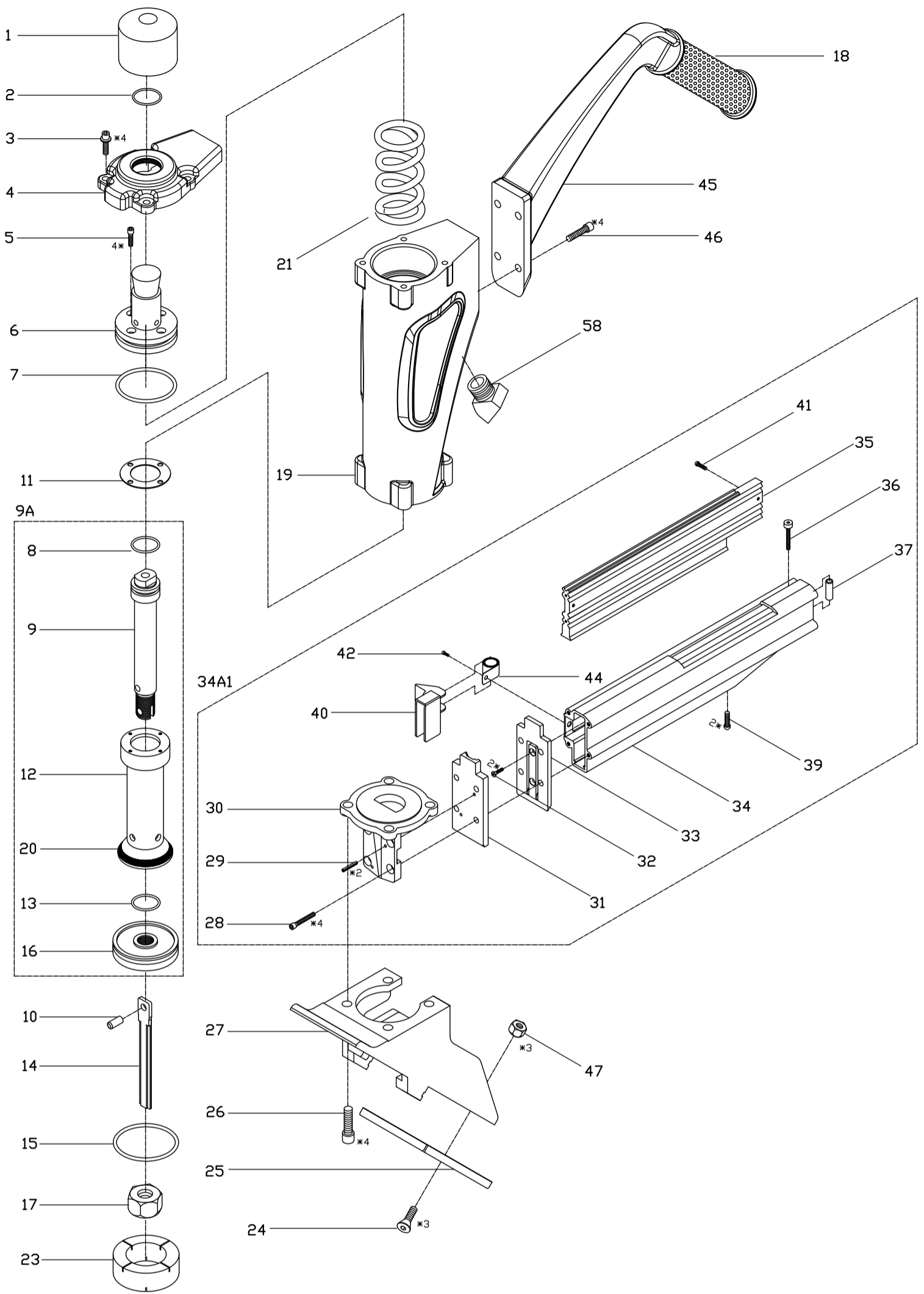


FLOORING STAPLER KFS-50



MODEL		KFS-50		FLOORING STAPLER	
INDEX	PART NO	DESCRIPTION	INDEX	PART NO	DESCRIPTION
1	F18000101	HAMMER FACE	25	F18002501	ADAPTOR PAD
2	ID2550W200	O-RING	26	JHS0835BWF	HEX. SOC. HD. BOLT
3	JHS0625BWF	HEX. SOC.HD.BOLT	27	A18002701	SHOE
4	A18000401	CAP	28	JHS0525BWF	HEX. SOC.HD.BOLT
5	JHS0420BWF	HEX. SOC.HD.BOLT	29	JRP025P10	ROLLED PIN
6	C18000602	PLUNGER	30	E18003001	FOOT
7	ID4770W350	O-RING	31	D18003101	DRIVER GUIDE PLATE
8	ID2190W262	O-RING	32	JFS0310B	FLAT HD. BOLT
9	C18000901	PISTON ROD	33	E18003301	NOSE
9A	C18000901A	PISTON ROD ASM.	34	B18003401	MAGAZINE
10	JBP060P12	BALL PIN	35	B18003501	STAPLE GUIDE UNIT
11	F18001101	GASKET	36	JHS0435BWF	HEX. SOC.HD.BOLT
12	C18001202	POPPET	37	H18003701	SPACER
13	ID1800W300	O-RING	34A1	B18003401A1	MAGAZINE ASM.
14	D18001401	DRIVER	39	JUS0512BF	UM. HD. BOLT
15	ID5200W360	O-RING	40	D18004001	PUSHER
16	C18001602	PISTON	41	JUS0408BF	UM. HD. BOLT
17	HLU1600N	LOCK NUT	42	JFS0406BF	FLAT HD. BOLT
18	F18001801	RUBBER GRIP	44	G18004401	SPIRAL SPRING
19	A18001904	BODY	45	A18004506	HANDLE
20	F18002002	SEAL	46	JHS0625BWF	HEX. SOC.HD.BOLT
21	G18002101	SPRING	47	JLN0600N	LOCK NUT
23	F18002301	BUMPER	58	E18005801	ELBOW
24	JFS0620BF	FLAT HD. BOLT			