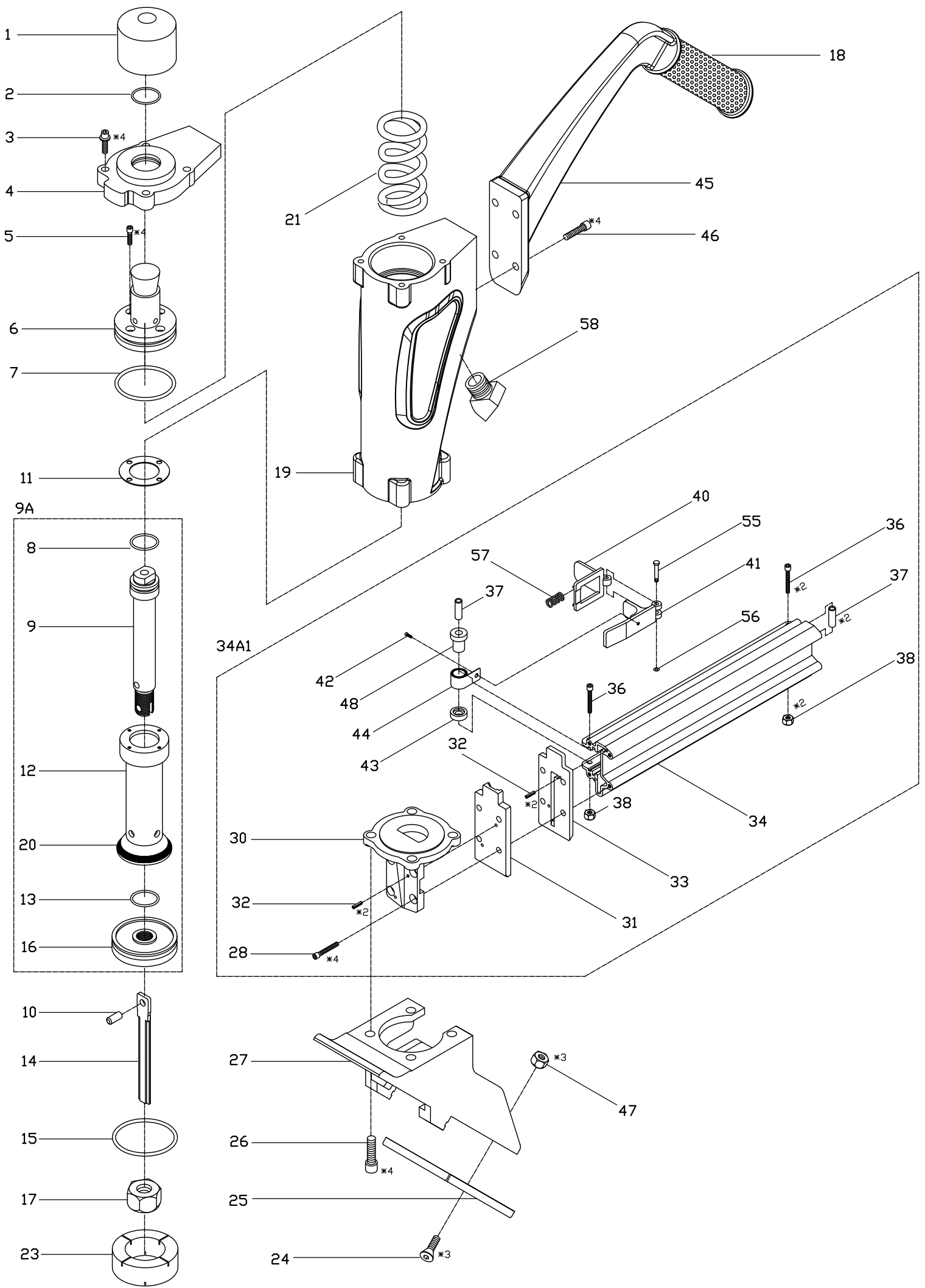


FLOORING NAILER KFL-50



MODEL KFL-50 FLOORING NAILER					
INDEX	PART NO	DESCRIPTION	INDEX	PART NO	DESCRIPTION
1	F18000101	HAMMER FACE	26	JHS0835BWF	HEX. SOC. HD. BOLT
2	ID2550W200	O-RING	27	A18002701	SHOE
3	JHS0625BWF	HEX. SOC.HD.BOLT	28	JHS0525BWF	HEX. SOC.HD.BOLT
4	A18000401	CAP	30	E18003001	FOOT
5	JHS0420BWF	HEX. SOC.HD.BOLT	31	D18103101	DRIVER GUIDE PLATE
6	C18000602	PLUNGER	32	JRPO25P10	ROLLED PIN
7	ID4770W350	O-RING	33	E18103301	NOSE
8	ID2190W262	O-RING	34	B18103401	MAGAZINE
9	C18000901	PISTON ROD	34A1	B18103401A1	MAGAZINE ASM.
9A	C18000901A	PISTON ROD ASM.	36	JHS0433B	HEX. SOC.HD.BOLT
10	JBP060P12	BALL PIN	37	H18003701	SPACER
11	F18001101	GASKET	38	JLN0400N	LOCK NUT
12	C18001202	POPPET	40	E18104001	PUSHER GUIDE
13	ID1800W300	O-RING	41	E18104101	PUSHER
14	D18101401	DRIVER	42	JFS0406BF	FLAT. HD. BOLT
15	ID5200W360	O-RING	43	H18104301	ROLLER WHELL
16	C18001602	PISTON	44	G18004401	SPIRAL SPRING
17	HLU1600N	LOCK NUT	45	A18004506	HANDLE
18	F18001801	RUBBER GRIP	46	JHS0625BWF	HEX. SOC.HD.BOLT
19	A18001904	BODY	47	JLN0600N	LOCK NUT
20	F18002002	SEAL	48	H18104801	ROLLER
21	G18002101	SPRING	55	H18105501	STEPPED PIN
23	F18002301	BUMPER	56	ID0190W190	O-RING
24	JFS0620BF	FLAT HD. BOLT	57	G18105701	SPRING
25	F18002501	ADAPTOR PAD	58	E18005801	ELBOW