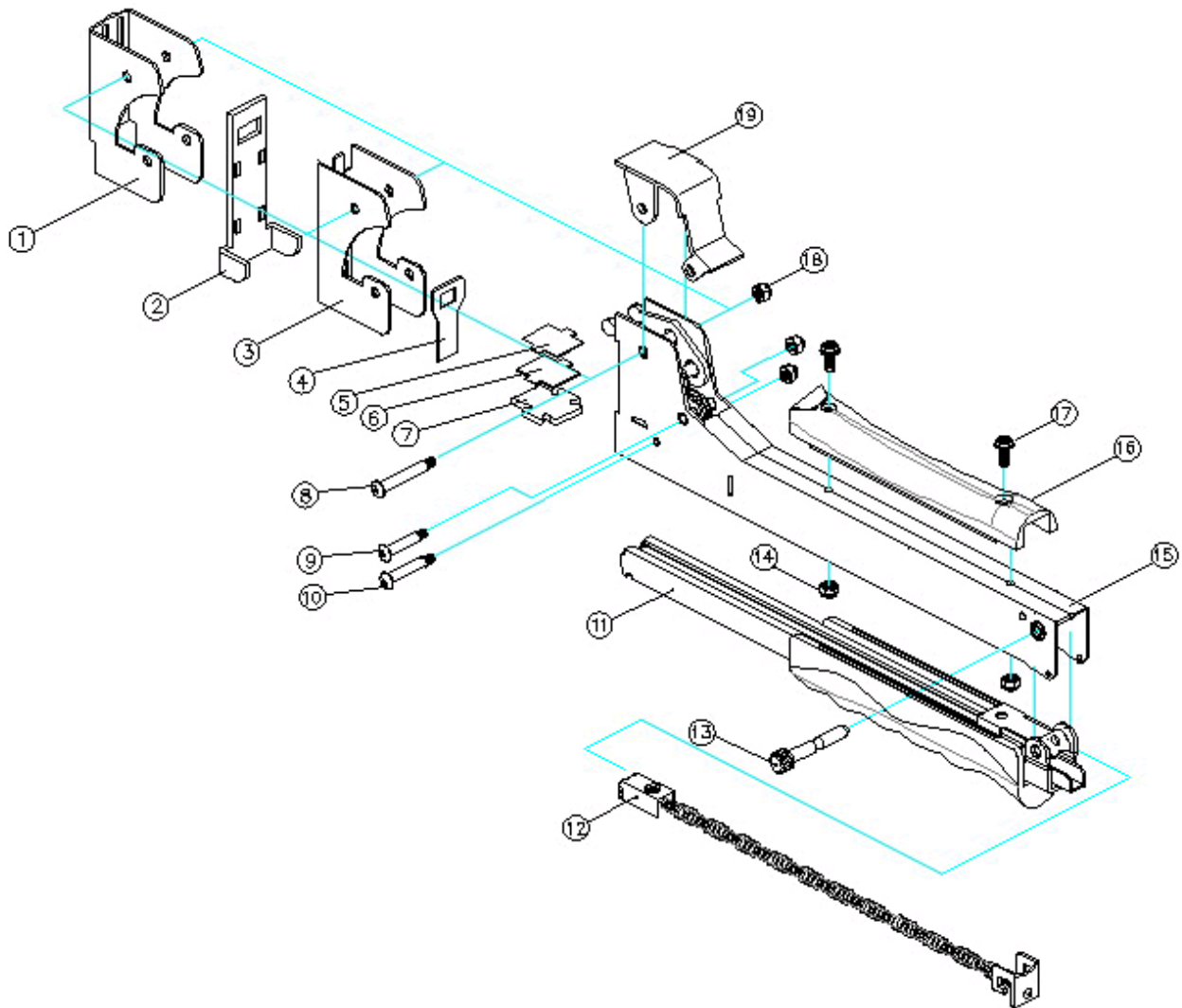


## Hammer Tacker HT-550H2B



MODEL HT-550H2B		Hammer Tacker			
INDEX	PART No.	DESCRIPTION	INDEX	PART No.	DESCRIPTION
1	HT550H2B-01	FRONT COVER	11	HT550H2B-11	MAGAZINE ASSEMBLY
2	HT550H2B-02	KNOCK PLATE	12	HT550H2B-12	PUSHER ROD ASSEMBLY
3	HT550H2B-03	COVER (INNER)	13	HT550H2B-13	PIVOT PIN
4	HT550H2B-04	DRIVER	14	HT550H2B-14	NUT M5
5	HT550H2B-05	SPACER	15	HT550H2B-15	MAIN BODY
6	HT550H2B-06	SPACER BUMPER	16	HT550H2B-16	PU HANDLE GRIP (UPPER)
7	HT550H2B-07	LOWER SPACER	17	HT550H2B-17	SCREW M5
8	HT550H2B-08	SCREW BOLT (L=37)	18	HT550H2B-18	NUT M5
9	HT550H2B-09	SCREW BOLT (L=30.5)	19	HT550H2B-19	TOP COVER
10	HT550H2B-10	SCREW BOLT (L=32.5)			