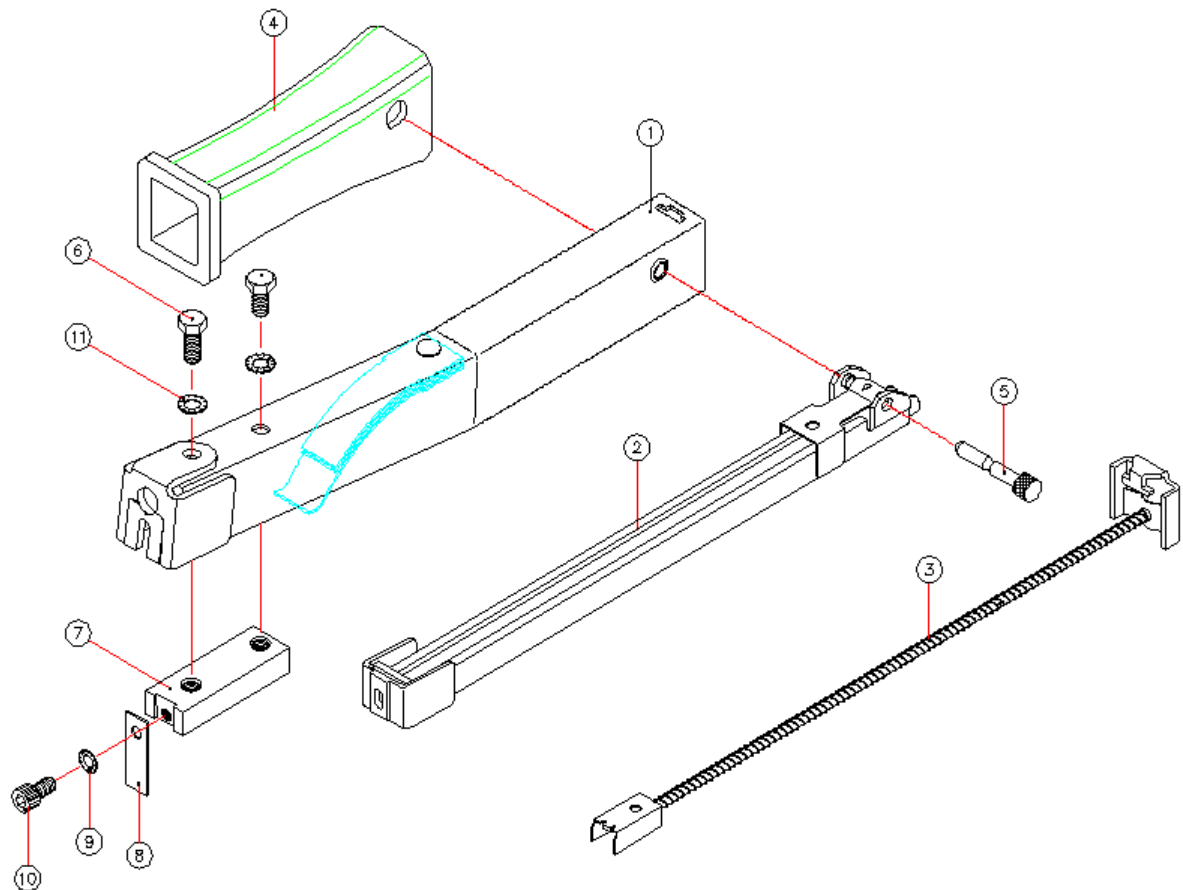


Hammer Tacker HT-550



MODEL HT-550		Hammer Tacker			
INDEX	PARTS NO.	DESCRIPTION	INDEX	PARTS NO.	DESCRIPTION
1	HT550-01	MAIN BODY	7	HT550-07	FIXING BLOCK
2	HT550-02	STAPLE MAGAZINE	8	HT550-08	DRIVER PLATE
3	HT550-03	STAPLE PUSHER ASM'Y	9	HT550-09	E.O.W. ø5
4	HT550-04	PVC HANDLE SLEEVE	10	HT550-10	SCREW M5
5	HT550-05	PIVOT PIN	11	HT550-11	E.O.W. ø6
6	HT550-06	SCREW M6 (14l & 16l)			