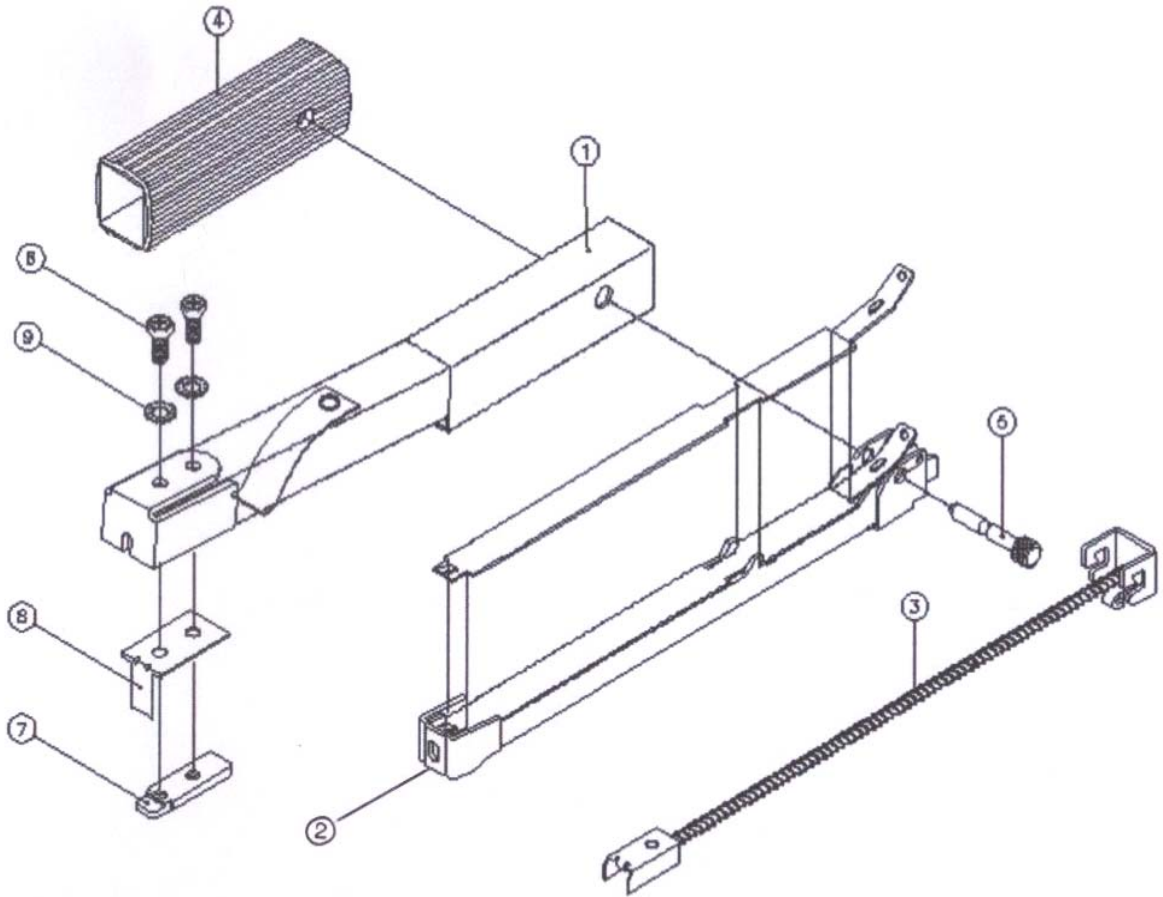


**Hammer Tacker HT-19**



MODEL		HT-19 Hammer Tacker			
INDEX	PARTS NO.	DESCRIPTION	INDEX	PARTS NO.	DESCRIPTION
1	HT19-01	MAIN BODY ASSEMBLY	6	HT19-06	SCREW
2	HT19-02	STAPLE MAGAZINE ASS'Y	7	HT19-07	FIXING BLOCK
3	HT19-03	STAPLE PUSHER ASS'Y	8	HT19-08	DRIVING PLATE
4	HT19-04	PLASTIC GRIP	9	HT19-09	E.O.W. ø5
5	HT19-05	FLAT PIVOT PIN			