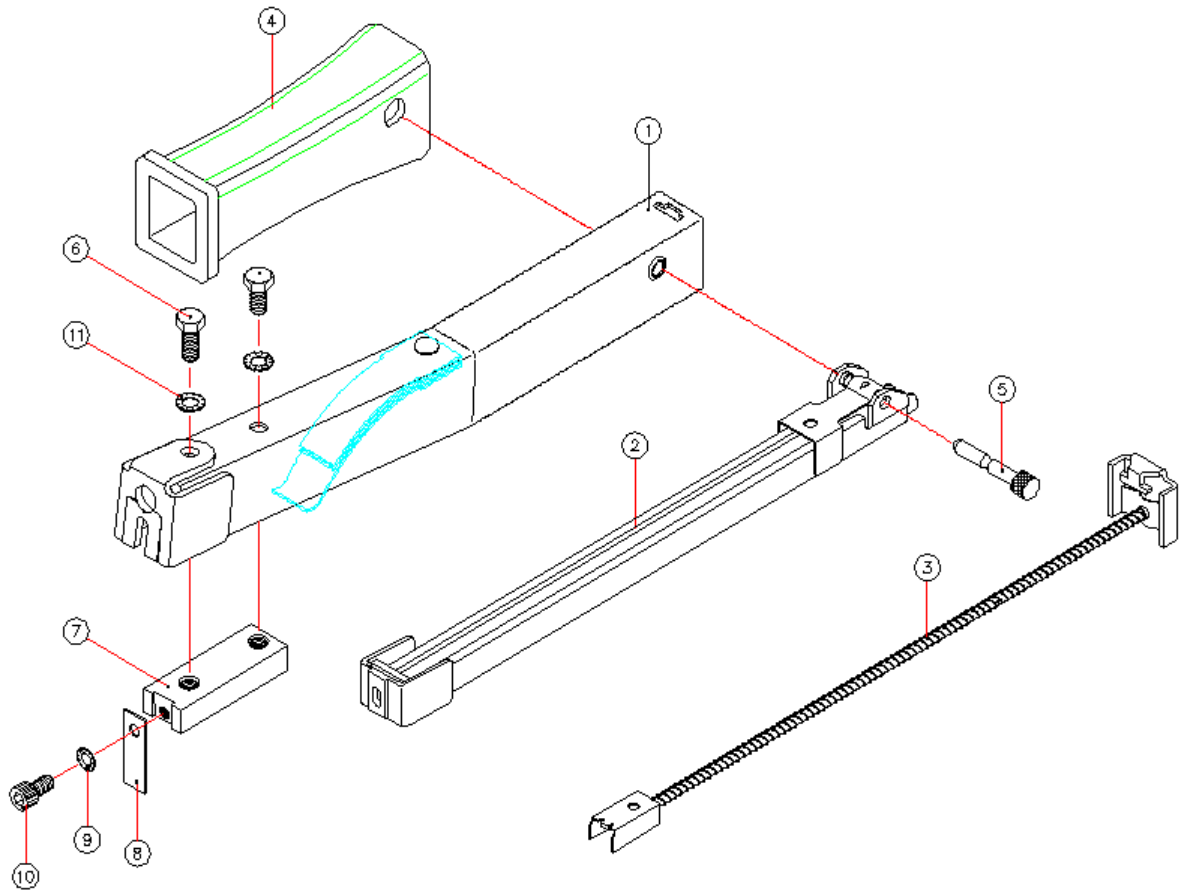


## Hammer Tacker HT-11



MODEL		HT-11 Hammer Tacker			
INDEX	PARTS NO.	DESCRIPTION	INDEX	PARTS NO.	DESCRIPTION
1	HT11-01	MAIN BODY	7	HT11-07	FIXING BLOCK
2	HT11-02	STAPLE MAGAZINE	8	HT11-08	DRIVER PLATE
3	HT11-03	STAPLE PUSHER ASM'Y	9	HT11-09	E.O.W. ø5
4	HT11-04	PVC HANDLE SLEEVE	10	HT11-10	SCREW M5
5	HT11-05	PIVOT PIN	11	HT11-11	E.O.W. ø6
6	HT11-06	SCREW M6 (14l & 16l)			