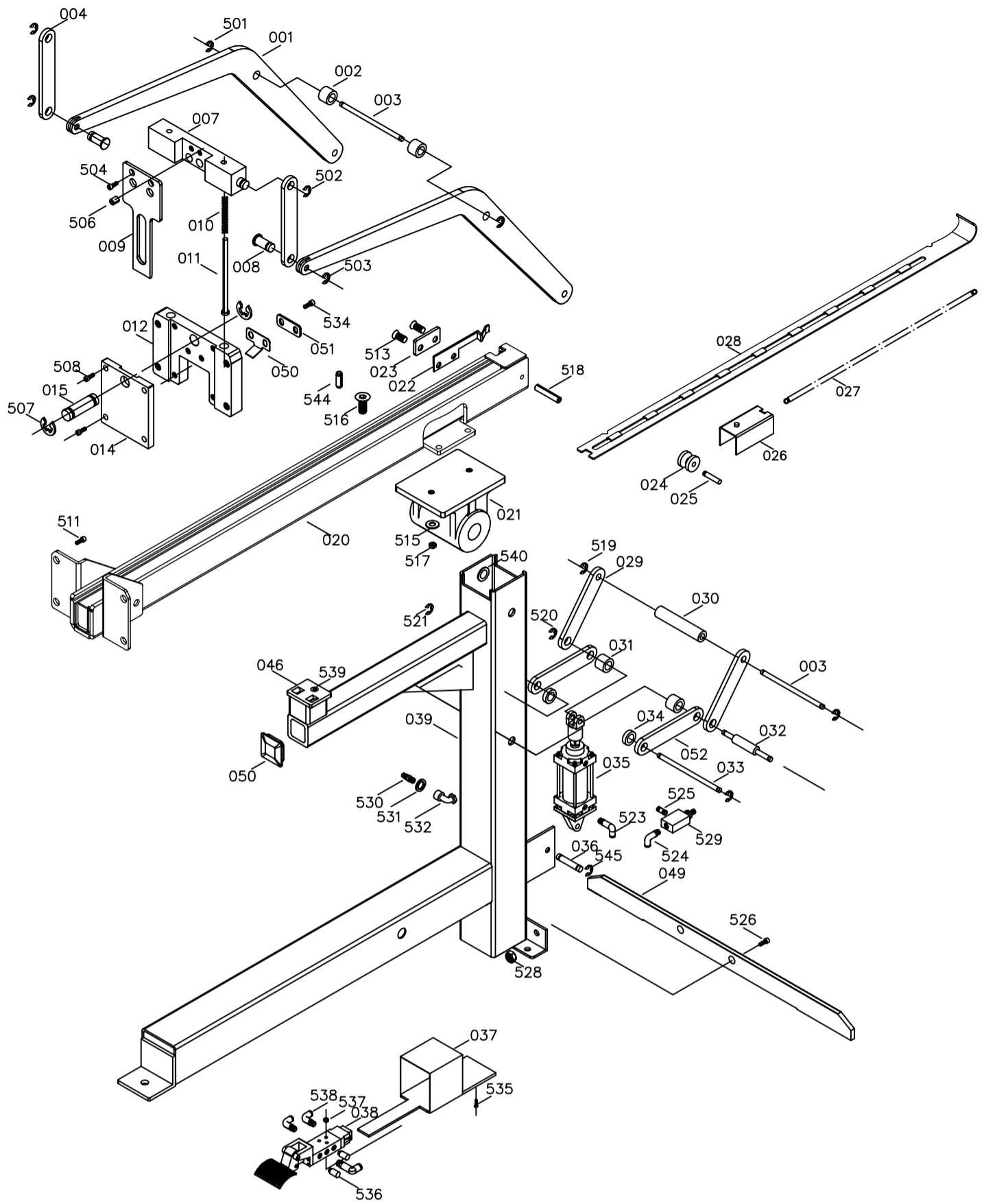


Pneumatic Side Bottomer PPS-16-19



MODEL	PPS-16-19	Pneumatic Side Bottomer			
INDEX	PART NO	DESCRIPTION	INDEX	PART NO	DESCRIPTION
001	A0060102	LINK 1	503	BAF10502	E-RING(ψ5)
002	A00603401	TUBE	504	BAC0604102	HEX.SOC.HD.BOLT(M4 x 0.7-10)
003	A00603201	SHAFT E	506	BAA060016	SPRING PIN(ψ6-16)
004	A00600401	LINK 2	507	BAF10602	E-RING(ψ6)
007	A00600703	DRIVER SEAT	508	BAC0604102	HEX.SOC.HD.BOLT(M4 x 0.7-10)
008	A00600801	SHAFT C	511	BAC0605102	HEX.SOC.HD.BOLT(M5 x 0.8-10)
009	A03300103	DRIVER	513	BAC0204062	HEX.SOC.FLAT COUNTERSUNK HD. SCREW(M4 x 0.7-6)
010	A00601002	SPRING			
011	A00601103@	SPRING SHAFT	515	BAE03051	WASHER(ψ5.1xψ12x0.8T)
012	A03300201	MAGAZINE SEAT	516	BAC0205202	HEX.SOC.FLAT COUNTER
014	A03300301	COVER			SUNK HD. SCREW(M5 x 0.8-20)
015	A00601502	SHAFT D	517	BAD02051	LOCK NUT(M5 x 0.8)
020	CMB-16-19-P7	MAGAZINE UNIT	518	BAA030022	SPRING PIN(ψ3-22)
021	CMB-P12	BRACKET	519	BAF11002	E-RING(ψ10)
022	A03301001	STOPPER	520	BAF11002	E-RING(ψ10)
023	A03301101	WASHER	521	BAF11002	E-RING(ψ10)
024	A03300601	ROLLER	523	BAI0703	PU PLUG(3/8" x φ 12-90°)
025	A03300701	SHAFT	524	BAI0703	PU PLUG(3/8" x φ 12-90°)
026	A03300801	PUSHER	525	BAI1002	DOUBLE SCREW TUBE(3/8"X3/8",STRAIGHT SHAPE)
027	A03301501	SPRING	526	BAC0408202	HEX.SOC.HD.BOLT(M8 x 1.25-20)
028	A03300902	MAGAZINE COVER	528	BAD01081	LOCK NUT(M8 x 1.25)
029	A00602901	LINK 3-A	529	BAI1102	QUICK EXHAUST(3/8")
030	A00603002	TUBE	530	A00100801	AIR PLUG(JAPANESE STYLE 3/8"x5/16")
031	A00700701	TUBE	530	A00100802	AIR PLUG(AMERICAN STYLE 3/8"x5/16")
032	A00700203	SHAFT K	530	A00100803	AIR PLUG(EUROPEAN STYLE 3/8"x5/16")
033	A00603302	SHAFT F	531	BAE01122	SPRING WASHER (φ 12)
034	A00603402	TUBE	532	BAI1203	PU PLUG(INNER TEETH1/4" x φ 12-90°)
035	BAI0104	CYLINDER SET(φ80, S=75mm)	535	BAC050012	FLAT HEAD SCREW(3/16" UNC)
036	A00700601	SHAFT M	536	BAI0503	DEFLECTOR(3/8")
037	A00700302@	SWITCH COVER UNIT	537	BAD03012	NUT(3/16" NUC)
038	BAI0302	SWITCH	538	BAI0703	PU PLUG(3/8" x 8-90°)
039	A00803905@	BODY SET	539	BAC0204082	HEX.SOC.FLAT COUNTERSUNK HD. SCREW(M4 x 0.7-0.8)
046	A03301401	MOLD			
049	A00604901	BALANCER	540	BAE03162	WAVE WASHER(φ16.7 x φ22.5)
050	A00800301	COVER	541	BAI0803	TUBE(φ8 xφ12x130CM)
051	A03301601	LEAF SPRING	542	BAI0804	TUBE(φ8 xφ12x145CM)
052	A03301701	TOP GUIDE	543	BAI0805	TUBE(φ8 xφ12x120CM)
053	A00602903	LINK 3-C	544	BAA040012	SPRING PIN(φ4 x 12)
501	BAF11002	E-RING(ψ10)	545	BAF11502	E-RING(φ15)
502	BAF10502	E-RING(ψ5)			