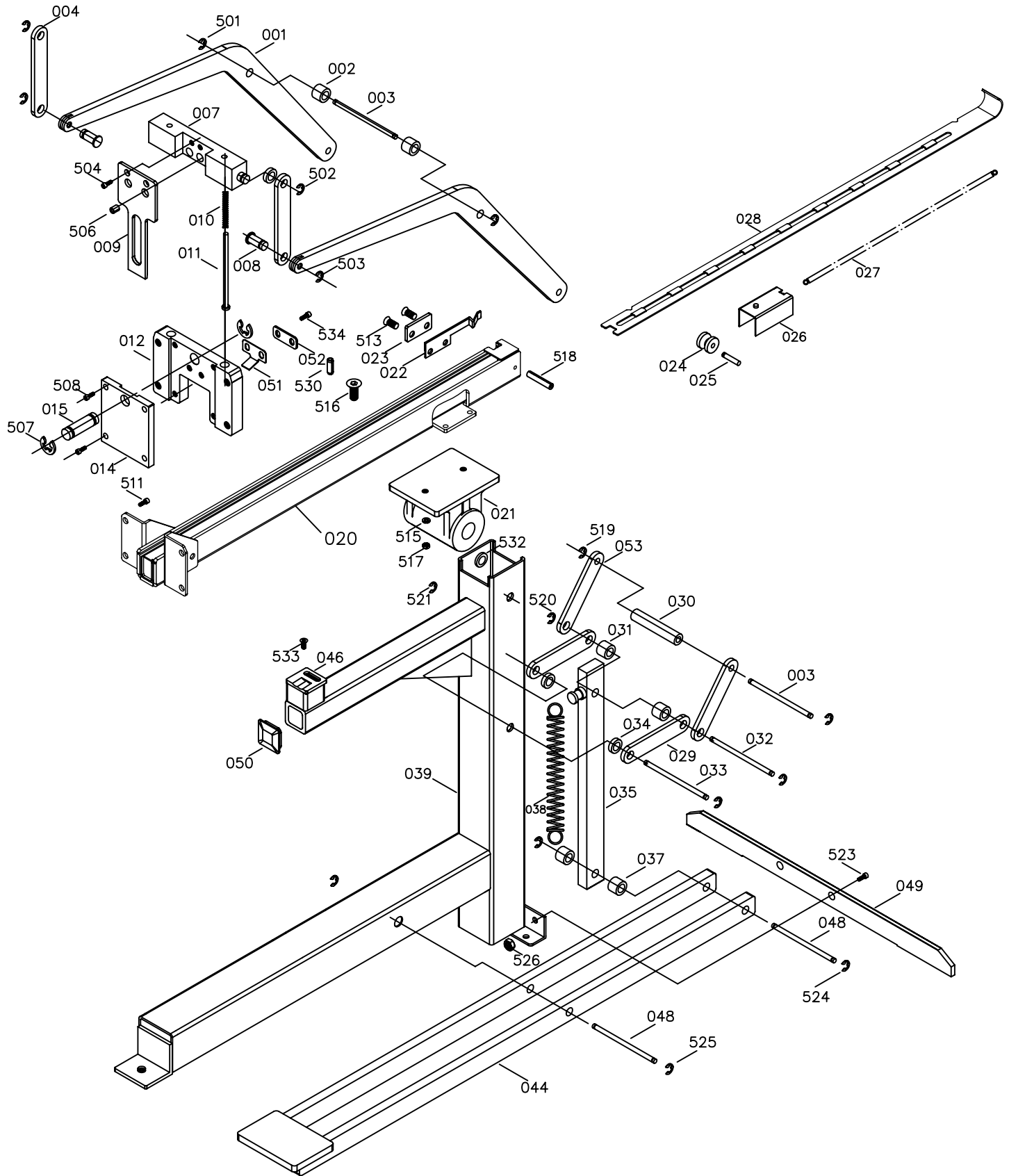


# Mechanical Side Bottomer PMS-16-19



| MODEL |              | PMS-16-19 Mechanical Side Bottomer |       |            |   |
|-------|--------------|------------------------------------|-------|------------|---|
| INDEX | PART NO      | DESCRIPTION                        | INDEX | PART NO    | DESCRIPTION                                     |
| 001   | A00600102    | LINK 1                             | 048   | A00604801  | SHAFT G   |
| 002   | A00603401    | TUBE                               | 049   | A00604901  | BALANCER  |
| 003   | A00603201    | SHAFT E                            | 050   | A00800301  | COVER   |
| 004   | A00600401    | LINK 2                             | 051   | A03301601  | LEAF SPRING                                     |
| 007   | A00600703    | DRIVER SEAT                        | 052   | A03301701  | TOP GUIDE                                       |
| 008   | A00600801    | SHAFT C                            | 053   | A00602902  | LINK 3-B  |
| 009   | A03300103    | DRIVER                             | 501   | BAF11002   | E-RING(ψ10)                                     |
| 010   | A00601002    | SPRING                             | 502   | BAF10502   | E-RING(ψ5)                                      |
| 011   | A00601103@   | SPRING SHAFT                       | 503   | BAF10502   | E-RING(ψ5)                                      |
| 012   | A03300201    | MAGAZINE SEAT                      | 504   | BAC0604102 | HEX.SOC.HD.BOLT(M4 x 0.7-10)                    |
| 014   | A03300301    | COVER                              | 506   | BAA060016  | SPRING PIN(ψ6-16)                               |
| 015   | A00601502    | SHAFT D                            | 507   | BAF10602   | E-RING(ψ6)                                      |
| 020   | CMB-16-19-P7 | MAGAZINE UNIT                      | 508   | BAC0604102 | HEX.SOC.HD.BOLT(M4 x 0.7-10)                    |
| 021   | CMB-P12      | BRACKET                            | 511   | BAC060510  | HEX. SOC. HD. BOLT(M5x0.8-10)                   |
| 022   | A03301001    | STOPPER                            | 513   | BAC0204062 | HEX.SOC.FLAT COUNTERSUNK HD. SCREW(M4 x 0.7-6)  |
| 023   | A03301101    | WASHER                             | 515   | BAE03051   | WASHER(ψ5.1xψ12x0.8T)                           |
| 024   | A03300601    | ROLLER                             | 516   | BAC0205202 | HEX.SOC.FLAT COUNTERSUNK HD. SCREW(M5 x 0.8-20) |
| 025   | A03300701    | SHAFT                              | 517   | BAD02051   | LOCK NUT(M5 x0.8)                               |
| 026   | A03300801    | PUSHER                             | 518   | BAA030022  | SPRING PIN(ψ3-22)                               |
| 027   | A03301501    | SPRING                             | 519   | BAF11002   | E-RING(ψ10)                                     |
| 028   | A03300902    | MAGAZINE COVER                     | 520   | BAF11002   | E-RING(ψ10)                                     |
| 029   | A00602901    | LINK 3 - A                         | 521   | BAF11002   | E-RING(ψ10)                                     |
| 030   | A00603002    | TUBE                               | 523   | BAC0408202 | HEX.SOC.HD.BOLT(M8 x 1.25-20)                   |
| 031   | A00603701    | TUBE                               | 524   | BAF11002   | E-RING(ψ10)                                     |
| 032   | A00603202    | SHAFT E                            | 525   | BAF11002   | E-RING(ψ10)                                     |
| 033   | A00603302    | SHAFT F                            | 526   | BAD01081   | LOCK NUT(M8 x1.25)                              |
| 034   | A00603402    | TUBE                               | 530   | BAA040012  | SPRING PIN(ψ4-12)                               |
| 035   | A00603503@   | LINK 4 SET                         | 532   | BAE03162   | WAVE WASHER(ψ16.7 xψ22.5)                       |
| 037   | A00603701    | TUBE                               | 533   | BAC0204122 | HEX.SOC.FLAT COUNTERSUNK HD. SCREW(M4 x 0.7-12) |
| 038   | A00603801    | SPRING                             | 534   | BAC0604102 | HEX.SOC.HD.BOLT(M4 x 0.7-10)                    |
| 039   | A00803904@   | BODY SET                           |       |            |   |
| 044   | A00604402@   | STEP BOARD SET                     |       |            |   |
| 046   | A03301401    | MOLD                               |       |            |   |