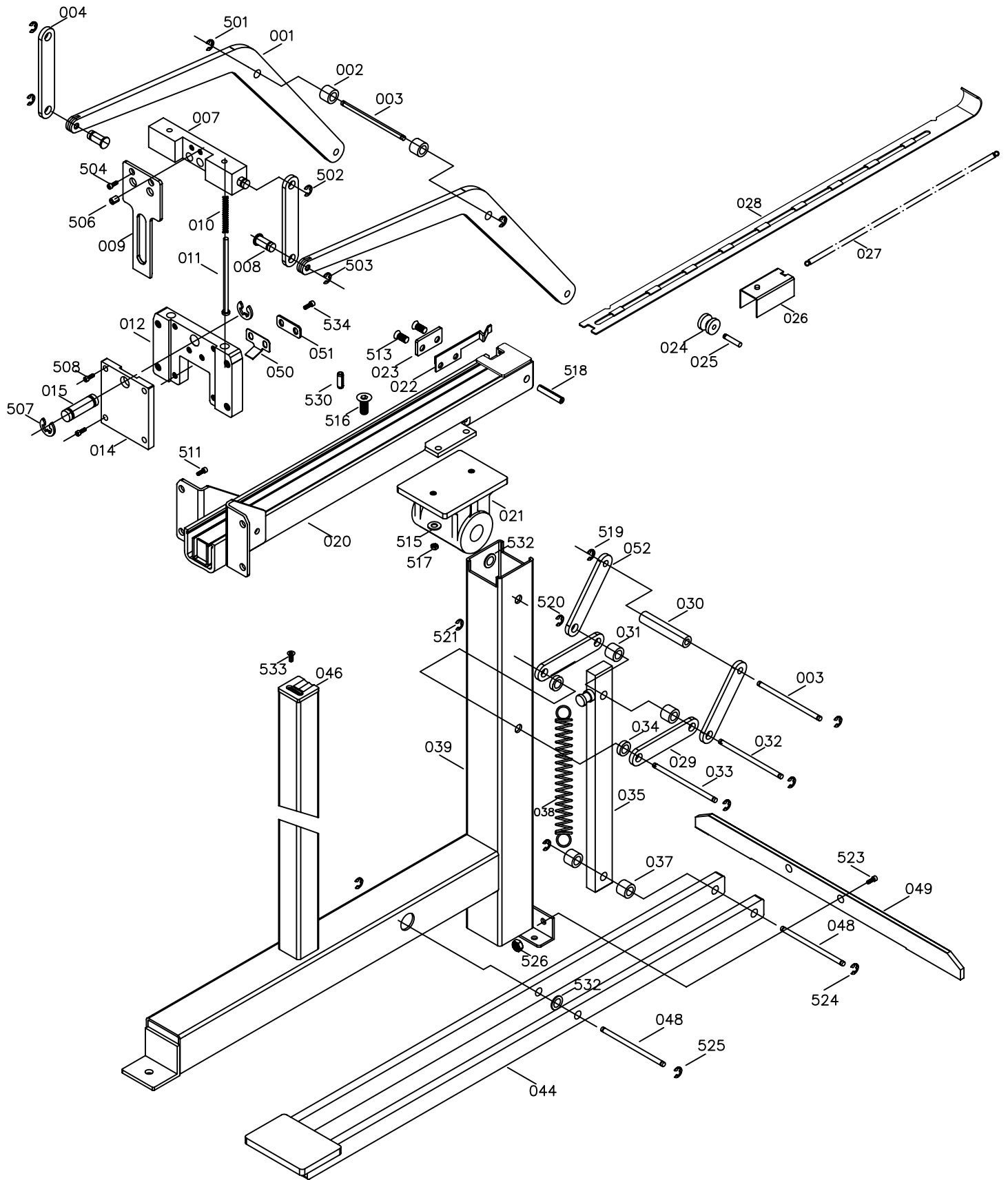


Mechanical Bottomer PMB-16-19



| MODEL | | PMB-16-19 | | Mechanical Bottomer | |
|-------|--------------|----------------|-------|---------------------|---|
| INDEX | PART NO | DESCRIPTION | INDEX | PART NO | DESCRIPTION |
| 001 | A00600102 | LINK 1 | 048 | A00604801 | SHAFT G |
| 002 | A00603401 | TUBE | 049 | A00604901 | BALANCER |
| 003 | A00603201 | SHAFT E | 050 | A03301601 | LEAF SPRING |
| 004 | A00600401 | LINK 2 | 051 | A03301701 | TOP GUIDE |
| 007 | A00600703 | DRIVER SEAT | 052 | A00602902 | LINK 3-B |
| 008 | A00600801 | SHAFT C | 501 | BAF11002 | E-RING(ψ10) |
| 009 | A03300103 | DRIVER | 502 | BAF10502 | E-RING(ψ5) |
| 010 | A00601002 | SPRING | 503 | BAF10502 | E-RING(ψ5) |
| 011 | A00601103@ | SPRING SHAFT | 504 | BAC0604102 | HEX.SOC.HD.BOLT(M4 x 0.7-10) |
| 012 | A03300201 | MAGAZINE SEAT | 506 | BAA060016 | SPRING PIN(ψ6-16) |
| 014 | A03300301 | COVER | 507 | BAF10602 | E-RING(ψ6) |
| 015 | A00601502 | SHAFT D | 508 | BAC0604102 | HEX.SOC.HD.BOLT(M4 x 0.7-10) |
| 020 | CMB-16-19-P7 | MAGAZINE UNIT | 511 | BAC0605102 | HEX. SOC. HD. BOLT(M5x0.8-10) |
| 021 | CMB-P12 | BRACKET | 513 | BAC0204062 | HEX.SOC.FLAT COUNTERSUNK HD. SCREW(M4 x 0.7-6) |
| 022 | A03301001 | STOPPER | 515 | BAE03051 | WASHER(ψ5.1xψ12x0.8T) |
| 023 | A03301101 | WASHER | 516 | BAC0205202 | HEX.SOC.FLAT COUNTERSUNK HD. SCREW(M5 x 0.8-20) |
| 024 | A03300601 | ROLLER | 517 | BAD02051 | LOCK NUT(M5 x0.8) |
| 025 | A03300701 | SHAFT | 518 | BAA030022 | SPRING PIN(ψ3-22) |
| 026 | A03300801 | PUSHER | 519 | BAF11002 | E-RING(ψ10) |
| 027 | A03301501 | SPRING | 520 | BAF11002 | E-RING(ψ10) |
| 028 | A03300902 | MAGAZINE COVER | 521 | BAF11002 | E-RING(ψ10) |
| 029 | A00602901 | LINK 3-A | 523 | BAC0408202 | HEX.SOC.HD.BOLT(M8 x 1.25-20) |
| 030 | A00603002 | TUBE | 524 | BAF11002 | E-RING(ψ10) |
| 031 | A00603701 | TUBE | 525 | BAF11002 | E-RING(ψ10) |
| 032 | A00603202 | SHAFT E | 526 | BAD01081 | LOCK NUT(M8 x1.25) |
| 033 | A00603302 | SHAFT F | 530 | BAA040012 | SPRING PIN(ψ4-12) |
| 034 | A00603402 | TUBE | 532 | BAE03162 | WAVE WASHER(ψ16.7 xψ22.5) |
| 035 | A00603503@ | LINK 4 SET | 533 | BAC0204122 | HEX.SOC.FLAT COUNTERSUNK HD. SCREW(M4 x 0.7-12) |
| 037 | A00603701 | TUBE | 534 | BAC0604102 | HEX.SOC.HD.BOLT(M4 x 0.7-10) |
| 038 | A00603801 | SPRING | | | |
| 039 | A00603904@ | BODY SET | | | |
| 044 | A00604402@ | STEP BOARD SET | | | |
| 046 | A03301401 | MOLD | | | |