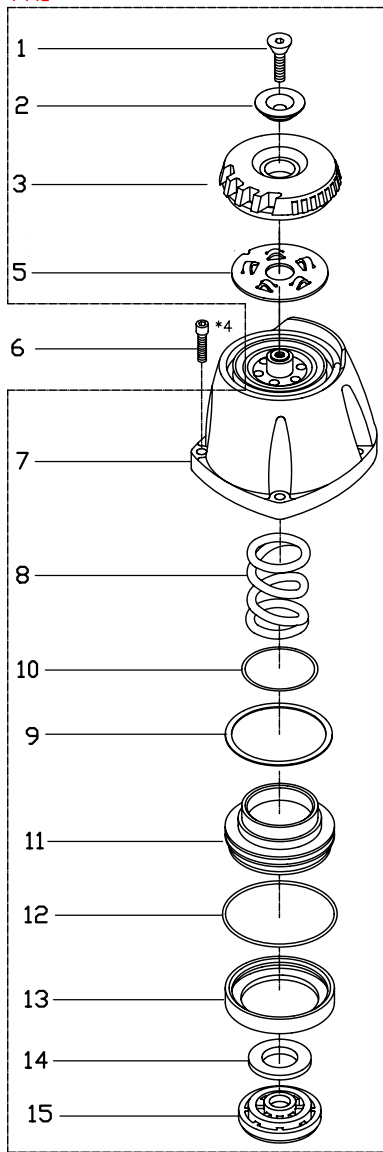
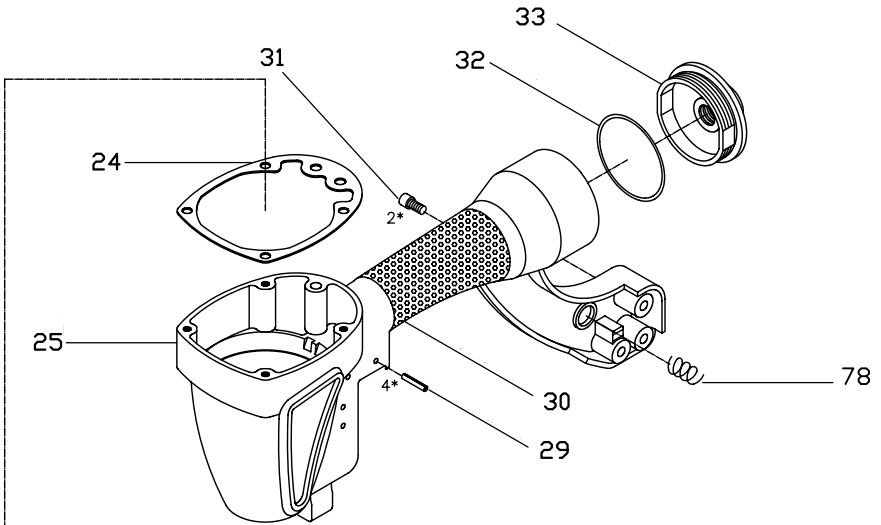
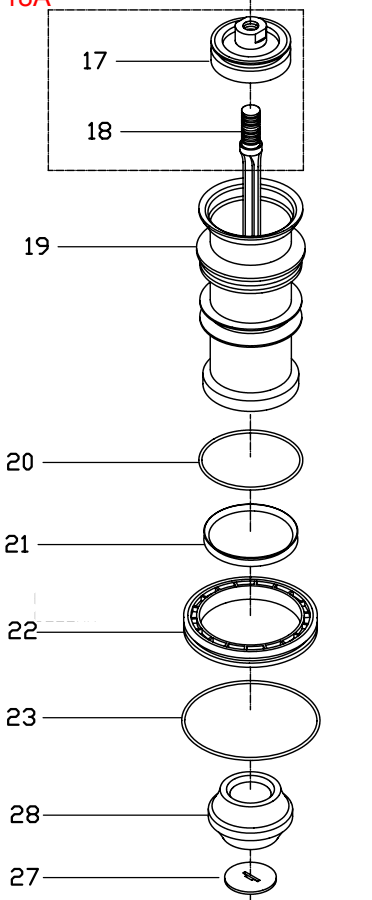


**16GA MEDIUM CROWN STAPLER MS-951**

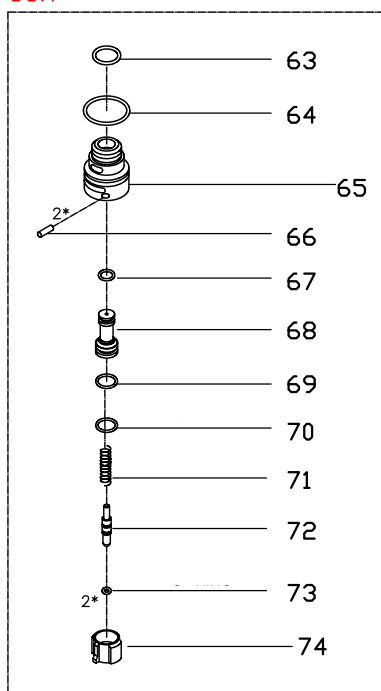
**7A1**



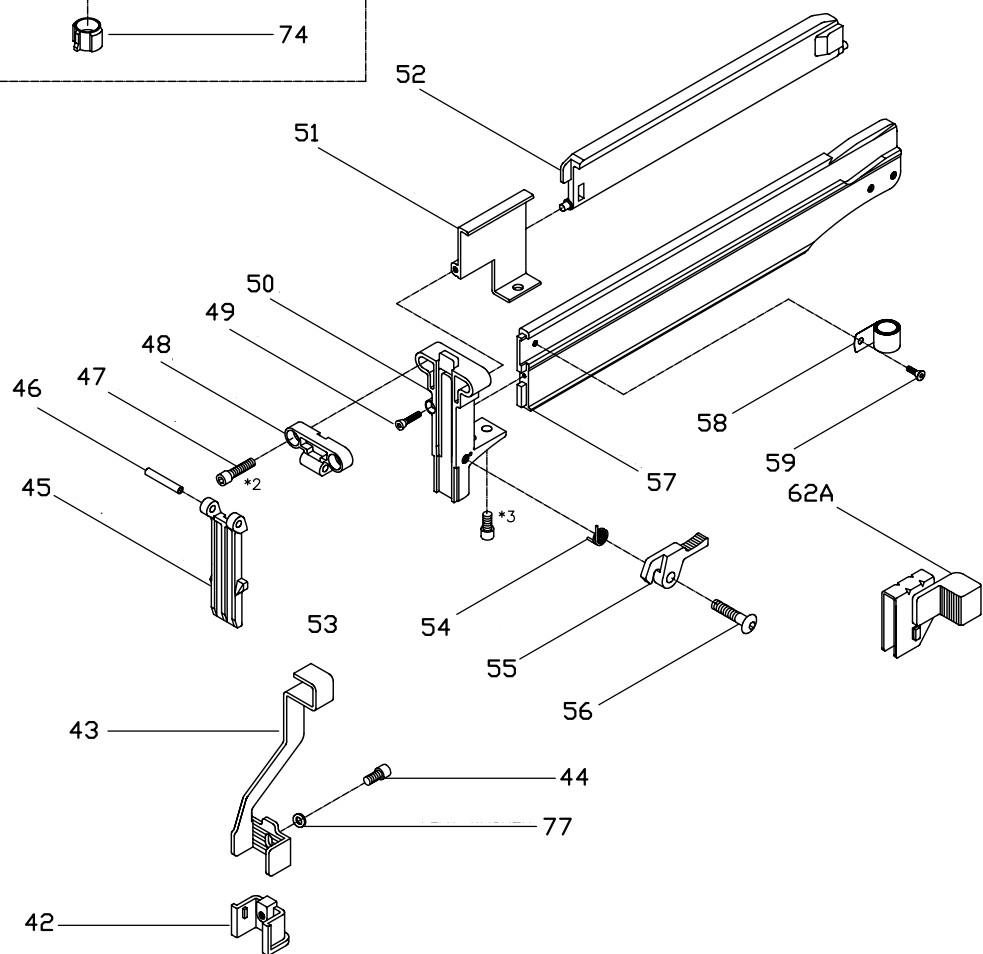
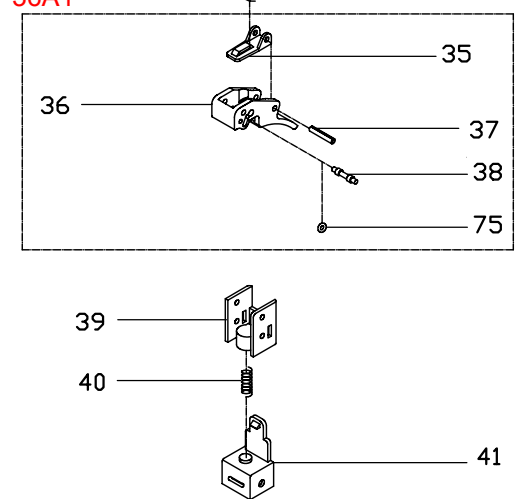
**18A**



**65A**



**36A1**



<b>MODEL MS-951</b>		<b>16GA MEDIUM CROWN STAPLER</b>			
<b>INDEX</b>	<b>PART NO</b>	<b>DESCRIPTION</b>	<b>INDEX</b>	<b>PART NO</b>	<b>DESCRIPTION</b>
1	JFS0620BF	FLAT HD. BOLT	39	F19006501	TRIP GUIDE
2	H19001301	FRONT BRACKET	40	G17509101	SPRING
3	F16500301	EXHAUST COVER	41	E19006802	CONTACT TRIP BLOCK
5	D16500501	EXHAUST FILTER PLATE	42	E17104201	ADJ. BLOCK
6	JHS0525BWF	HEX.SOC.HD.BOLT	43	D17104301	CONTACT ARM
7	A16500701	CAP	44	JHS0512BWF	HEX.SOC.HD.BOLT
<b>7A1</b>	A16500701A1	CAP ASM.	45	E17104501	DRIVER GUIDE PLATE
8	G16500801	SPRING	46	JRP040P24	ROLLED PIN
9	D16500901	WASHER	47	JHS0532BWF	HEX.SOC.HD.BOLT
10	ID4095W262	O-RING	48	E17104801	SET BLOCK
11	F16501101	PISTON HEAD VALVE	49	JHS0316BWF	HEX.SOC.HE.BOLT
12	ID5440W310	O-RING	50	E17305001	NOSE
13	F16501301	SEAL	51	B17105101	MAGAZINE COVER
14	C16501401	PLAIN WASHER	52	F17105201	SEWING COVER
15	F17101501	PISTON STOPPER	53	JHS0512BWF	HEX.SOC.HD.BOLT
16	ID3429W534D80	O-RING	54	G17105401	SPRING
17	C16501701	PISTON	55	E17105501	STOPPER
18	H17301801	DRIVER	56	J17105601	UM.HD.BOLT
<b>18A</b>	H17301801A	DRIVER ASS'Y(#16+18A)	57	B17305701	MAGAZINE
19	C14501901	CYLINDER	58	G18004401	SPIRAL SPRING
20	ID4730W262	O-RING	59	JFS0405BF	FLAT.HD. BOLT
21	F16502101	CYLINDER RING	62A	F17306202A	PUSHER GUIDE
22	F16502201	COLLAR	63	ID1180W240	O-RING
23	ID5940W310	O-RING	64	ID1980W240	O-RING
24	F16502401	GASKET	65	F16508202	TRIGGER VALVE HOUSING
25	A17102502	BODY	66	JBP030P16	BALL PIN
27	D17302701	SET PLATE	67	ID0580W190D90	O-RING
28	F17102801	BOTTOM BUMPER	68	F16507901	PILOT VALVE
29	JRP030P30	ROLLED PIN	69	ID0680W190	O-RING
30	F19003203	RUBBER GRIP	70	ID0880W190	O-RING
31	JHS0516BWF	HEX.SOC.HD.BOLT	71	G16507501	SPRING
32	ID4735W178	O-RING	72	H16507501	PLUNGER
33	A16002302	COVER	73	ID0250W140	O-RING
34	G19005801	SPRING	74	F16507302	TRIGGER VALVE CAP
35	D19005901	TRIGGER PLATE	<b>65A</b>	F16508201A	SWITCH ASM.
36	F16508601	TRIGGER	75	ID0107W127	O-RING
37	JRP030P16	ROLLED PIN	77	JFW051010	FLAT WASHER
38	H19008201	SLIDE SHAFT	78	G18105702	SPRING
<b>36A1</b>	F16508601A1	TRIGGER ASSEMBLY			