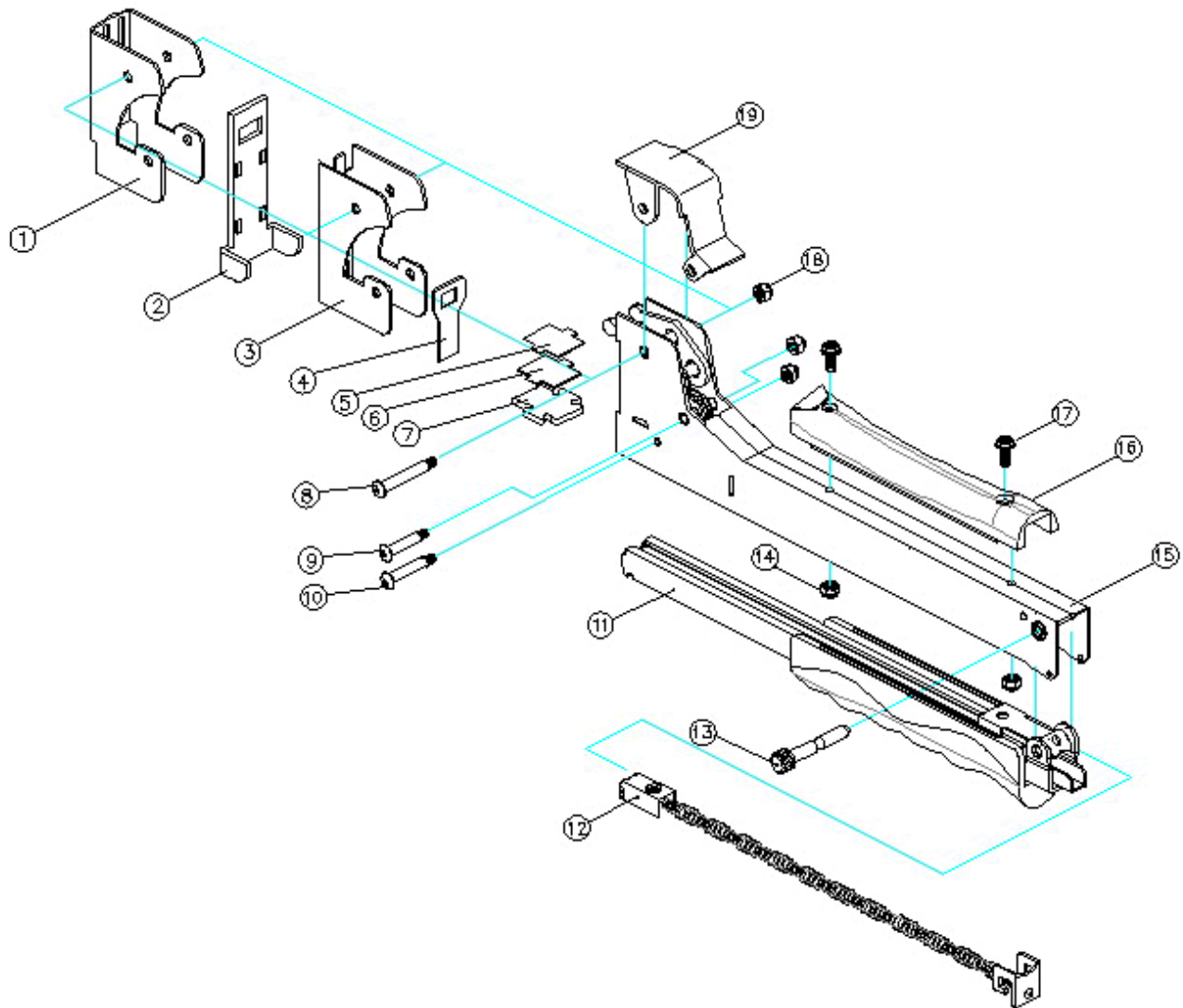


## Hammer Tacker HT-750H2B



MODEL HT-750H2B		Hammer Tacker			
INDEX	PART No.	DESCRIPTION	INDEX	PART No.	DESCRIPTION
1	HT750H-01	FRONT COVER	11	HT750H-11	MAGAZINE ASSEMBLY
2	HT750H-02	KNOCK PLATE	12	HT750H-12	PUSHER ROD ASSEMBLY
3	HT750H-03	COVER (INNER)	13	HT750H-13	PIVOT PIN
4	HT750H-04	DRIVER	14	HT750H-14	NUT M5
5	HT750H-05	SPACER	15	HT750H-15	MAIN BODY
6	HT750H-06	SPACER BUMPER	16	HT750H-16	PU HANDEL GRIP (UPPER)
7	HT750H-07	LOWER SPACER	17	HT750H-17	SCREW M5
8	HT750H-08	SCREW BOLT (L=37)	18	HT750H-18	NUT M5
9	HT750H-09	SCREW BOLT (L=30.5)	19	HT750H-19	TOP COVER
10	HT750H-10	SCREW BOLT (L=32.5)			