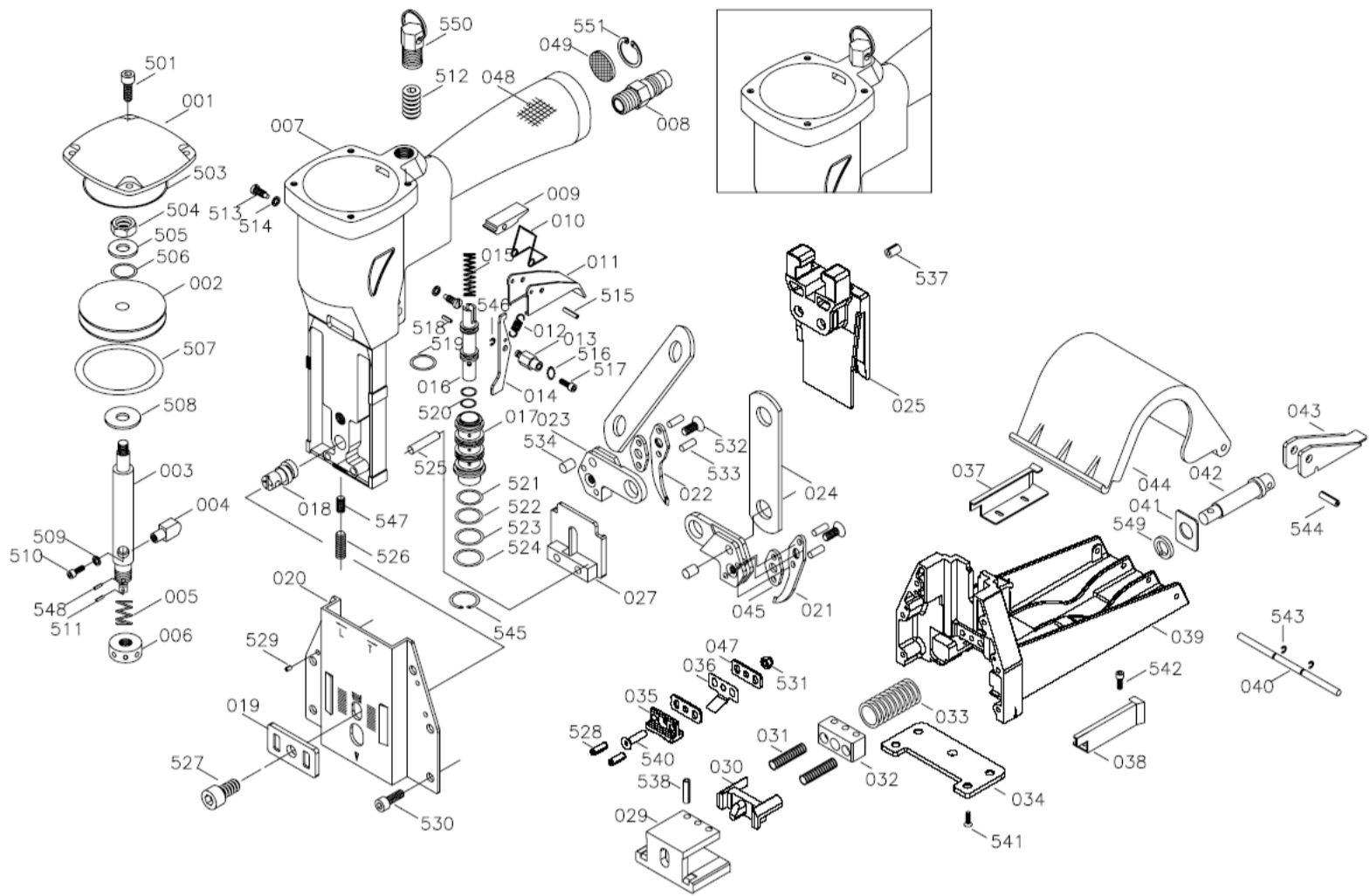


PCCI-19 CR
PCCI-19 AR
Pneumatic Coil Carton Stapler PCCI-22 AR
PCCS-19
PCCT-19



MODEL PCCI-19 CR&PCCI-19 AR&PCCI-22 AR&PCCS-19&PCCT-19			Pneumatic Coil Carton Stapler		
INDEX	PART NO	DESCRIPTION	INDEX	PART NO	DESCRIPTION
001	A04600101	CAP	041-2	A02201902	WASHER(T=2.8mm,I-AR SERIES)
002	A02800201	PISTON	041-3	A02201903	WASHER(T=2.2mm,S SERIES)
003	A02800301	PISTON ROD	042	A02200801	SHAFT
004	A00100401	BLOCK	043	A02201001	LEVER
005	A00100501	SPRING	044	A02201401	COVER
006	A00100601	COLLAR	045	A02300801	PLATE
007	A04600201	BODY	047	A02202402	WASHER
008-1	A00100801	AIR PLUG (JAPANESE TYPE)	048	A04601401	HANDLE GLEEVE
008-2	A00100802	AIR PLUG (AMERICAN TYPE)	049	BA11401	SILENCER
008-3	A00100803	AIR PLUG (EUROPEAN TYPE)	501	BAC0604142	HEX.SOC.HD.BOLT (M4 x 0.7-14)
009	A00100902	BLOCK	503	BAB017537	O-RING (φ 1.78 x φ 53.7)
010	A00101001	SPRING	504	BAD02061	HEX.NUT (M6 x 1)
011	A00101101-04	TRIGGER	505	BAE06094	WASHER (1/4" x 5/8" x 1T)
012	A00101201	SPRING	506	BAB017076	O-RING(φ 1.78 x φ 7.65)
013	A00101301	ROD	507	BAB057476	O-RING (φ 5.7 x φ 47.6)
014	A00101402	TRIGGER'S CONTROL	508	A00104101	WASHER (φ 8 x φ 23 x 1.6T)
015	A00101501	SPRING	509	BAE01042	SPRING WASHER (M4)
016	A00101601	VALVE	510	BAC0404062	HEX.SOC.HD.BOLT (M4 x 0.7-6)
017	A00101702	TUBE	511	BAA025014	SPRING PIN (φ 2.5-14)
018	A00101801	ADJUSTING ROD	512	BAC0312122	HEX.SOC.HDLESS.BOLT (M12 x 1.75-12)
019	A00101901	ADJUSTING PLATE	513	A00104401	TRIGGER SCREW (M4 x 0.7-7)
020-1	A01102501	FRONT PLATE :19mm	514	BAE01042	SPRING WASHER (M4)
020-2	A01102503	FRONT PLATE :22mm	515	BAA030020	SPRING PIN (φ 3-20)
021-1	A00102102	RIGHT TEETH :19mm	516	BAE02042	OUTSIDE TEETH WASHER (M4)
022-1	A00102202	LEFT TEETH :19mm	517	BAC0404102	HEX.SOC.HD.BOLT (M4 x 0.7-10)
021-2	A01200501	RIGHT TEETH :I-22-AR (2.3mm)	518	BAA030010	SPRING PIN (φ 3-10)
022-2	A01200601	LEFT TEETH :I-22-AR (2.3mm)	519	BAB017124	O-RING (φ 1.78 x φ 12.42)
021-3	A01900503	TEETH(S SERIES)	520	BAB017076	O-RING (φ 1.78 x φ 7.65)
022-3	A01900503	TEETH(S SERIES)	521	BAB016145	O-RING (φ 1.6 x φ 14.5)
023	A00102301	TEETH SEAT	522	BAB016150	O-RING (φ 1.6 x φ 15)
024	A00102401	PLATE	523	BAB016155	O-RING (φ 1.6 x φ 15.5)
025-1	A02202802	DRIVER (one piece)S series	524	BAB016160	O-RING (φ 1.6 x φ 16)
025-2	A02301002	DRIVER (one piece)I-CR series, T series	525	A00104701	ROD (φ 4.9-17.5)
025-4	A03700902	DRIVER (one piece)I-AR series(2.3mm)	526	BAC0306142	HEX.SOC.HDLESS.BOLT (M6 x 1-14)
027-1	A02300101@	DRIVER GUIDE UNIT :I-CR (1.9mm),T SERIES	527	BAC0608162	HEX.SOC.HD.BOLT (M8 x 1.25-16)
027-2	A03600101@	DRIVER GUIDE UNIT :I-AR SERIES (2.3mm)	528	BAA050014	SPRING PIN(φ5-14)
027	A02200201@	DRIVER GUIDE UNIT :S SERIES	529	BAA030010	SPRING PIN (φ 3-10)
029-1	A02200601	ANVIL (S SERIES)	530	BAC0605142	HEX.SOC.HD.BOLT (M5 x 0.8-14)
029-2	A02300401	ANVIL (I SERIES, T SREIES)	531	BAD01051	LOCK NUT
029-3	A03700401	ANVIL (I-22-AR SERIES)	532	BAC0205122	HEX.SOC.FLAT COUNTERSUNK HD.SCREW(M5 x 0.8-12)
030-1	A02200702	PUSHER (S SERIES)	532-2	BAC0205142	HEX.SOC.FLAT COUNTERSUNK HD.SCREW(M5 x 0.8-14 S series)
030-2	A02300502	PUSHER (I-CR SERIES,T SERIES)			
030-3	A03600202	PUSHER (I-AR SERIES)			
031	A02201101	SPRING	533	A00104501	PIN (φ 3.98-13)
032	A02200501	ANVIL CAP	534	A00104602	PIN (φ 6.05-8)
033	A02201201	SPRING	537	BAA060016-R	SPRING PIN (φ 6-16)
034	A02200901	PLATE	538	BAA040022	SPRING PIN (φ 4-22)
035	A02202901	TOP GUIDE	540	BAC0205202	HEX.SOC.HD BOLT (M5 x 0.8-20)
036	A02201803	LEAF SPRING	541	BAC0205082	HEX.SOC.FLAT COUNTERSUNK HD.SCREW (M5 x 0.8-8)
037-1	A02300603	RIGHT COIL GUIDE (I-19 SERIES)	542	BAC0703063	ROUND HD.SCREW (M3 x 0.5-6)
037-2	A03700602	RIGHT COIL GUIDE :I-22-AR (2.3mm)	543	BAF10252	E-RING (φ 2.5)
037-3	A02400602	RIGHT COIL GUIDE (T SERIES)	544	BAA040020	SPRING PIN (φ 4-20)
037-4	A02201503	RIGHT COIL GUIDE (S SERIES)	545	BAF22002	C-RING (φ 20)
038-1	A02300703	LEFT COIL GUIDE (I-19 SERIES)	546	BAF10252	E-RING (φ 2.5)
038-2	A03700702	LEFT COIL GUIDE :I-22-AR (2.3mm)	547	BAG010602	HELLI-COIL (M6 x 1.0-2D)
038-3	A02400702	LEFT COIL GUIDE (T SERIES)	548	A00104901	PLASTIC PIN
038-4	A02201603	LEFT COIL GUIDE (S SERIES)	549	BAE03102	WAVE WASHER (φ 10)
039-1	A02200111	MAGAZINE SEAT	550	C0011201@	COUNTER BALANCE HANGER
039-2	A03600506	MAGAZINE SEAT(I-AR SERIES)	551	BAF22002	C-RING (φ 20)
040	A02201301	SHAFT			
041-1	A02201901	WASHER(T=2.5mm,I-CR SERIES)			