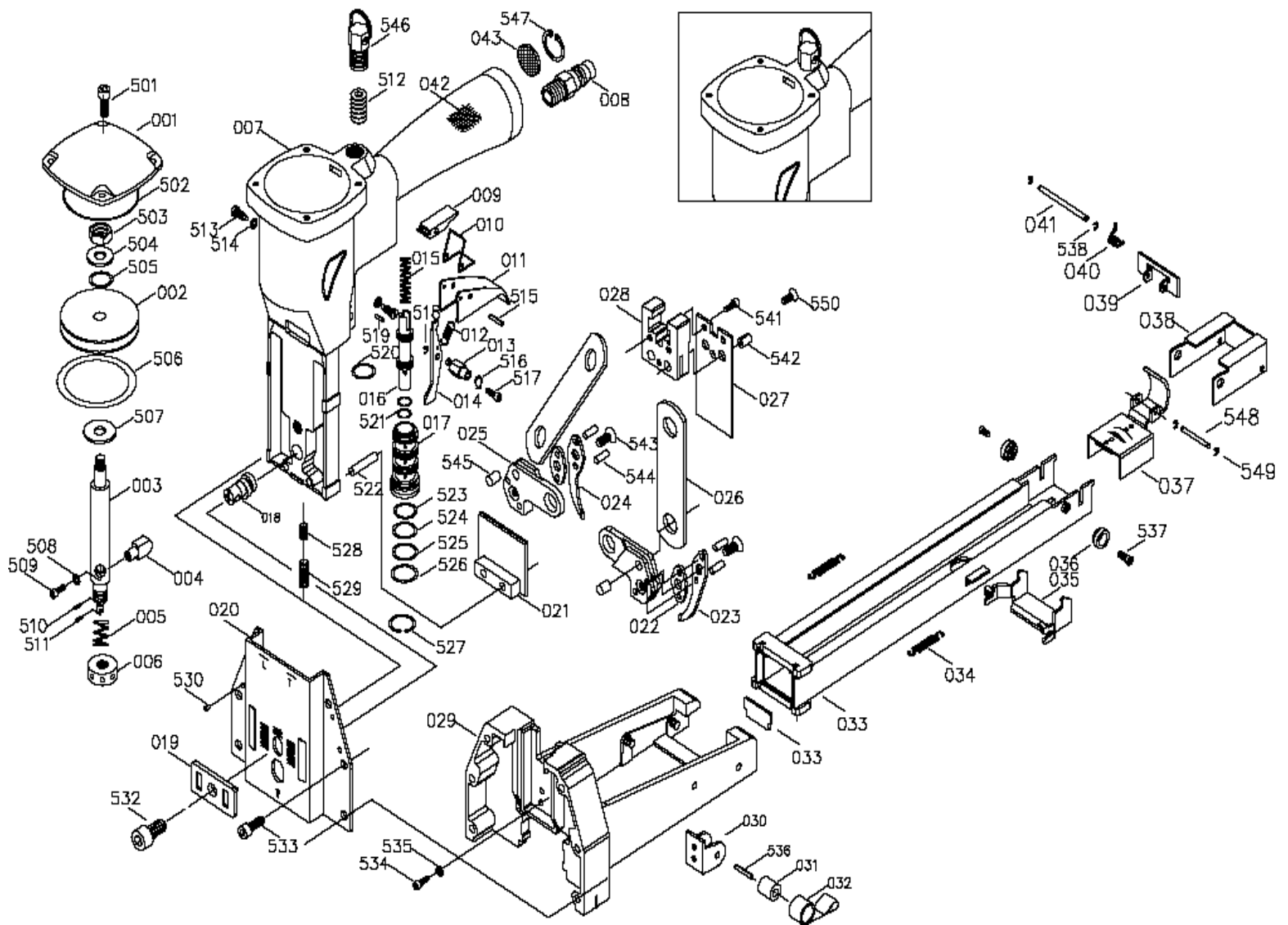


Pneumatic Carton Stapler  
 PPC 19-35  
 PPC 19-34  
 PPC 19-32  
 PPC 22-35



MODEL PPC 19-35&PPC 19-34&PPC 19-32&PPC 22-35			Pneumatic Carton Stapler		
INDEX	PART NO	DESCRIPTION	INDEX	PART NO	DESCRIPTION
1	A04600101	CAP	41-1	A04600901	SHAFT (19-35,22-35)
2	A02800201	PISTON	41-2	A04600902	SHAFT (19-32)
3	A02800301	PISTON ROD	41-3	A04600903	SHAFT (19-34)
4	A00100401	BLOCK	42	A04601401	HANDLE GLEEVE
5	A00100501	SPRING	43	BAI1401	SILENCER
6	A00100601	COLLAR	501	BAC0604142	HEX.SOC.HD.BOLT (M4 x 0.7-14)
7	A04600201	BODY	502	BAB017537	O-RING (φ 1.78 x φ 53.7)
8-1	A00100801	AIR PLUG (JAPANESE TYPE)	503	BAD02061	HEX.NUT (M6 x 1)
8-2	A00100802	AIR PLUG (U.S.A. TYPE)	504	BAE06094	WASHER (1/4" x 5/8" x 1T)
8-3	A00100803	AIR PLUG (EUROPEAN TYPE)	505	BAB017076	O-RING (φ 1.78 x φ 7.65)
9	A00100901	BLOCK	506	BAB057476	O-RING (φ 5.7 x φ 47.6)
10	A00101001	SPRING	507	A00104101	WASHER(φ 8 x φ 23 x φ 1.6T)
11	A00101101-04	TRIGGER	508	BAE01042	SPRING WASHER (M4)
12	A00101201	SPRING	509	BAC0404062	HEX.SOC.HD.BOLT(M4 x 0.7-6)
13	A00101301	ROD	510	A00104901	PLASTIC PIN
14	A00101402	TRIGGER'S CONTROL	511	BAA025014	SPRING PIN (φ 2.5-14)
15	A00101501	SPRING	512	BAC0312122	HEX.SOC.HDLESS.BOLT (M12 x 1.75-12)
16	A00101601	VALVE	513	A00104401	TRIGGER SCREW (M4 x 0.7-7)
17	A00101702	TUBE	514	BAE01042	SPRING WASHER (M4)
18	A00101801	ADJUSTING ROD	515	BAA030020	SPRING PIN (φ 3-20)
19	A00101901	ADJUSTING PLATE	516	BAE02042	OUTSIDE TEETH WASHER (M4)
20	A01102501	FRONT PLATE	517	BAC0404102	HEX.SOC.HD.BOLT (M4 x 0.7-10)
21	A00102703@	COVER UNIT	518	BAF10252	E-RING (φ 2.5)
22	A00105001	WASHER	519	BAA030010	SPRING PIN (φ 3-10)
23-1	A00102102	RIGHT TEETH (19mm)	520	BAB017124	O-RING (φ 1.78 x φ 12.42)
23-2	A01200501	RIGHT TEETH (22mm)	521	BAB017076	O-RING (φ 1.78 x φ 7.65)
24-1	A00102202	LEFT TEETH (19mm)	522	A00104701	ROD (φ 4.9-17.5)
24-2	A01200601	LEFT TEETH (22mm)	523	BAB016145	O-RING (φ 1.6 x φ 14.5)
25	A00102301	TEETH SEAT	524	BAB016150	O-RING (φ 1.6 x φ 15)
26	A00102401	PLATE	525	BAB016155	O-RING (φ 1.6 x φ 15.5)
27-1	A00102605	DRIVER (19-35)	526	BAB016160	O-RING (φ 1.6 x φ 16)
27-2	A01201706	DRIVER (19-32)	527	BAF22002	C-RING (φ 20)
27-3	A00102606	DRIVER (19-34)	528	BAG010602	HELL-COIL (M6 x 1.0-2D)
27-4	A01201708	DRIVER (22-35) (71.2mm)	529	BAC0306142	HEX.SOC.HDLESS.BOT (M6 x 1-14)
28	A00102502	BLOCK	530	BAA030010	SPRING PIN (φ 3-10)
29	A04600302@	MAGAZINE SEAT	532	BAC0608162	HEX.SOC.HD.BOLT (M8 x 1.25-16)
30	A04600601	BRACKET	533	BAC0605142	HEX.SOC.HD.BOLT (M5 x 0.8-14)
31	A00103501	ROLLER	534	BAC0404082	HEX.SOC.HD.BOLT (M4 x 0.7-8)
32	A04601601	SPRING	535	BAE01042	SPRING WASHER (M4)
33-1	HJK-19-35-P2	MAGAZINE(19-35)	536	BAA040016	SPRING PIN (φ 4-16)
33-2	HJK-19-32-P2	MAGAZINE(19-32)	537	BAC0204062	HEX.SOC.FLAT COUNTERSUNK HD SCREW (M4 x 0.7-6)
33-3	HJK-19-34-P2	MAGAZINE(19-34)	538	BAF10202	E-RING (φ 2)
33-4	HJK-22-35-P2	MAGAZINE(22-35)	541	BAC0604102	HEX.SOC.HD BOLT (M4 x 0.7-10)
33-5	HJK-7437-P2	MAGAZINE(7437)	542	BAA060016-R	SPRING PIN (φ 6-16)
34	A01102403	SPRING	543	BAC0205122	HEX.SOC.FLAT COUNTERSUNK HD SCREW (M5 x 0.8-12)
35	A01102201	BRACKET	544	A00104501	PIN (φ 3.97-13)
36	A04601301	WASHER	545	A00104602	PIN (φ 6.05-8)
37-1	A04601001@-04	PUSHER UNIT (19-35,22-35)	546	C0011201	COUNTER BALANCE HANGER
37-2	A04601002@-04	PUSHER UNIT (19-32)	547	BAF22002	C-RING (φ 20)
37-3	A04601003@-04	PUSHER UNIT (19-34)	548	A04601701	PIN (φ 3-23.9)
38-1	A04601201	COVER (19-35)	549	BAF10202	E-RING (φ 2)
38-2	A04601202	COVER (19-32)	550	BAC0204062	HEX.SOC.FLAT COUNTERSUNK HD SCREW (M4 x 0.7-6)
38-3	A04601203	COVER (19-34)			
39-1	A04600701	STOPPER (19-35,22-35,19-34)			
39-2	A04600702	STOPPER(19-32)			
40	A04600801	SPRING			