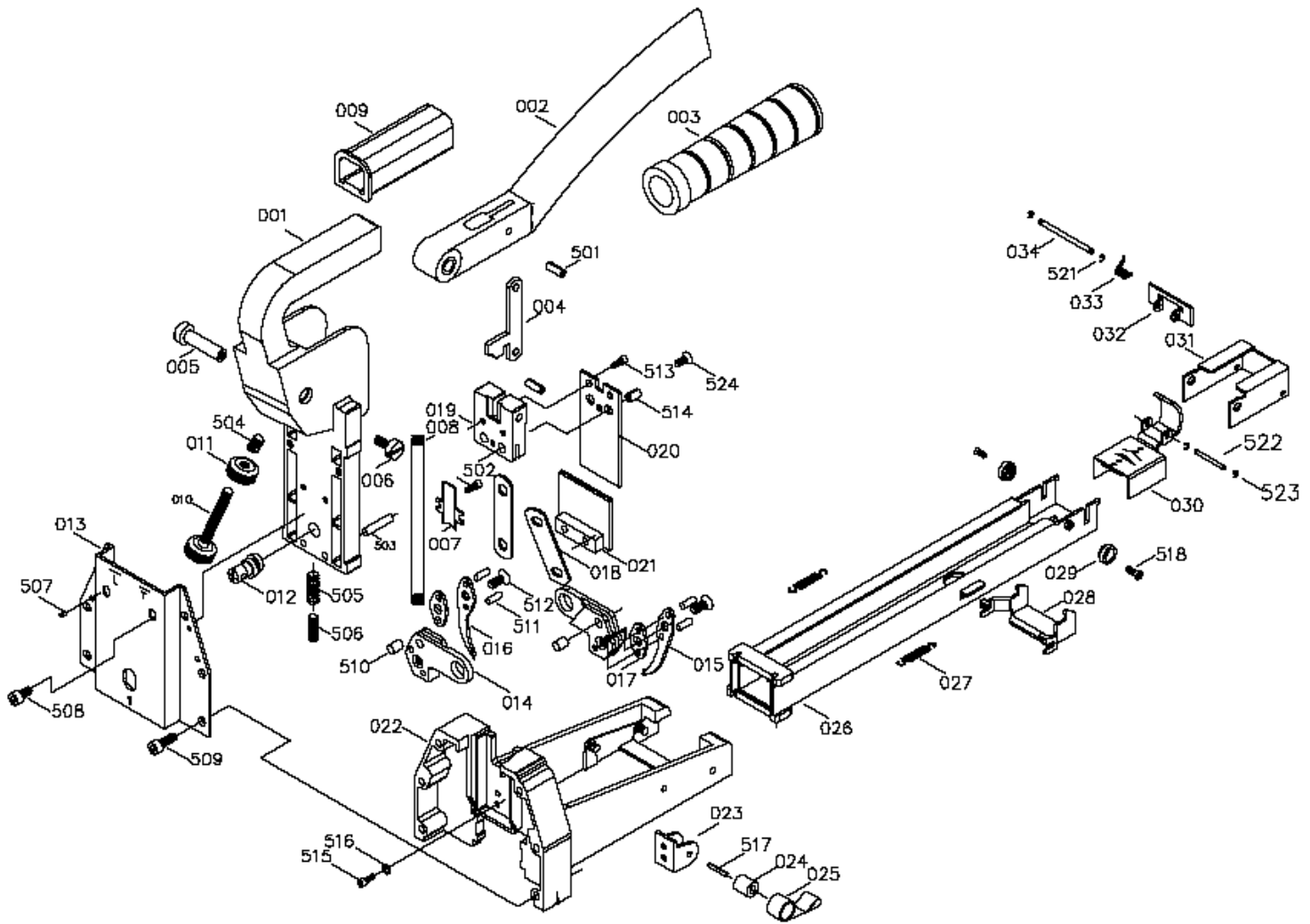


Manual Carton Stapler
 PMC 19-35
 PMC 19-34
 PMC 19-32
 PMC 22-35



MODEL PMC 19-35&PMC 19-34&PMC 19-32&PMC 22-35 Manual Carton Stapler					
INDEX	PART NO	DESCRIPTION	INDEX	PART NO	DESCRIPTION
001	A04700101	BODY	030-1	A04601001@-04	PUSHER UNIT (19-35,22-35)
002	A01102701	HANDLE	030-2	A04601002@-04	PUSHER UNIT (19-32)
003	A00300301	HANDLE GLEEVE	030-3	A04601003@-04	PUSHER UNIT (19-34)
004	A01103001	LINK	031-1	A04601201	COVER (19-35,22-35)
005	A03500301	PIVOT PIN	031-2	A04601202	COVER (19-32)
006	A03500401	PIVOT SCREW	031-3	A04601203	COVER (19-34)
007	A01102801	COVER	032-1	A04600701	STOPPER (19-35,19-34,22-35)
008	A01102901	SPRING	032-2	A04600702	STOPPER (19-32)
009	A04700201	HANDLE GLEEVE	033	A04600801	SPRING
010	A00301001	ADJUSTMENT SCREW	034-1	A04600901	SHAFT (19-35,22-35)
011	A00301101	ADJUSTMENT NUT	034-2	A04600902	SHAFT (19-32)
012	A00101801	ADJUSTMENT ROD	034-3	A04600903	SHAFT (19-34)
013	A01102502	FRONT PLATE	501	BAA050020	SPRING PIN (ϕ 5-20)
014	A00102301	TEETH SEAT	502	BAC0404062	HEX.SOC.HD.BOLT (M4 x 0.7-6)
015-1	A00102102	RIGHT TEETH (19mm)	503	A00104701	ROD (ϕ 4.9-17.5)
015-2	A01200501	RIGHT TEETH (22mm)	504	BAG010601	HELI-COIL (M6 x 1.0-1D)
016-1	A00102202	LEFT TEETH (19mm)	505	BAG010602	HELI-COIL (M6 x 1.0-2D)
016-2	A01200601	LEFT TEETH (22mm)	506	BAC0306142	HEX.SOC.HD.LESS.BOLT (M6 x 1-14)
017	A00105001	WASHER	507	BAA030010	SPRING PIN (ϕ 3-10)
018	A00102401	PLATE	508	BAC0605142	HEX.SOC.HD.BOLT (M5 x 0.8-14)
019	A00301902	BLOCK	509	BAC0605142	HEX.SOC.HD.BOLT(M5 x 0.8-14)
020-1	A00102605	DRIVER (19-35)	510	A00104602	PIN (ϕ 6.05-8)
020-2	A00101706	DRIVER (19-32)	511	A00104501	PIN (ϕ 3.97-13)
020-3	A00102606	DRIVER (19-34)	512	BAC0205122	HEX.SOC.FLAT COUNTER (M5 x 0.8-12)
020-4	A01201708	DRIVER (22-35)	513	BAC0604102	HEX.SOC.HD.BOLT (M4 x 0.7-10)
021	A00102702@	COVER UNIT	514	BAA060016-R	SPRING PIN (ϕ 6-16)
022	A04600302@	MAGAZINE SEAT	515	BAC0404082	HEX.SOC.HD.BOLT (M4 x 0.7-8)
023	A04600601	BRACKET	516	BAE01042	SPRING WASHER (M4)
024	A00103501	ROLLER	517	BAA040016	SPRING PIN (ϕ 4-16)
025	A04601601	SPRING	518	BAC0204062	HEX.SOC.FLAT COUNTER SUNK HD.SCREW (M4 x 0.7-6)
026-1	A04601001@-V	MAGAZINE (19-35)	521	BAF10202	E-RING (ϕ 2)
026-2	A04601002@-V	MAGAZINE (19-32)	522	A04601701	PIN(ϕ 3-23.9)
026-3	A04601003@-V	MAGAZINE (19-34)	523	BAF10202	E-RING (ϕ 2)
026-4	A05100101@-V	MAGAZINE (22-35)	524	BAC0204062	HEX.SOC.FLAT COUNTER SUNK HD.SCREW (M4 x 0.7-6)
027	A01102403	SPRING			
028	A01102201	BRACKET			
029	A04601301	WASHER			